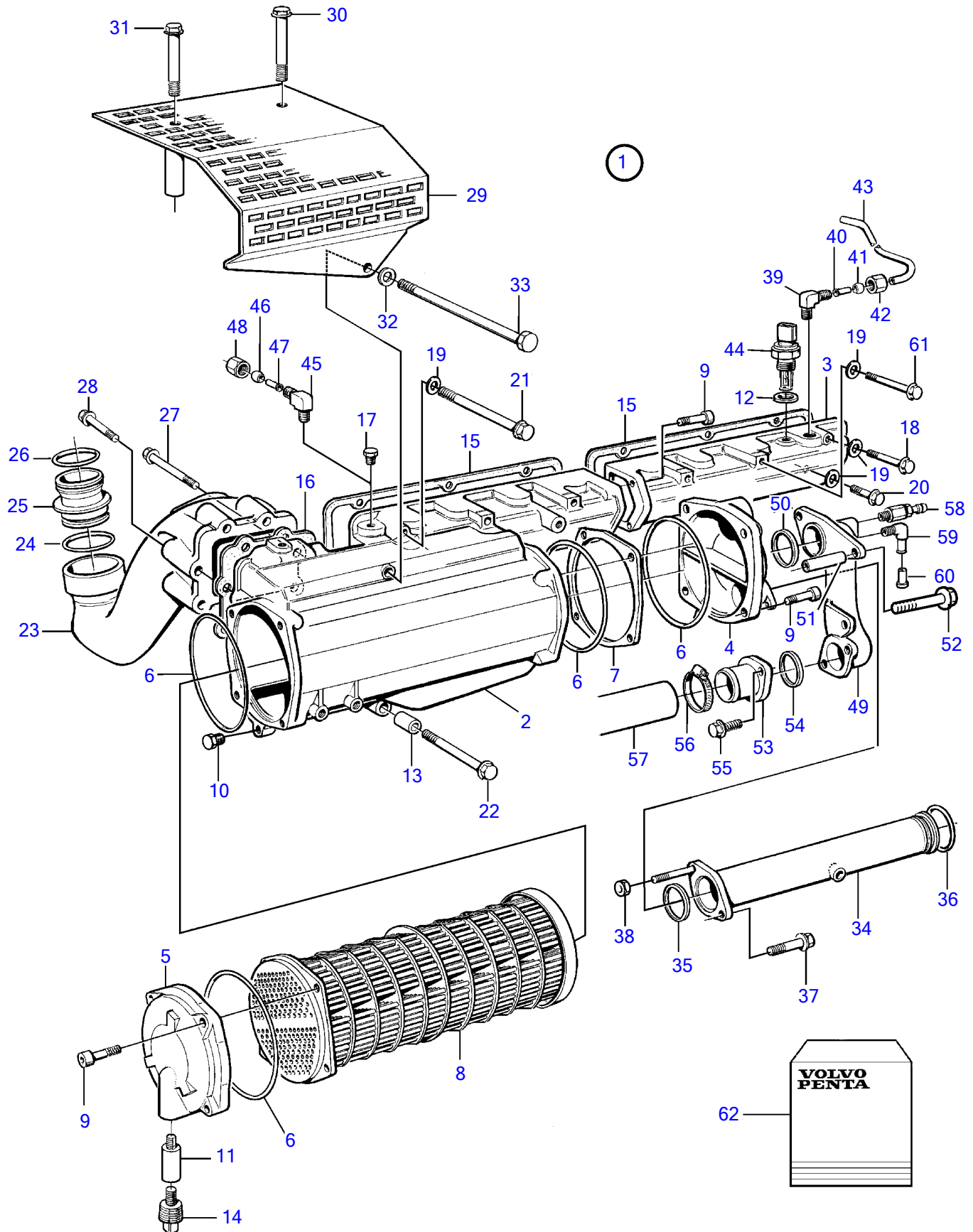


TAMD74C-A, TAMD74C-B, TAMD74L-A, TAMD74L-B, TAMD74P-A, TAMD74P-B, TAMD75P-A



## TAMD74C-A, TAMD74C-B, TAMD74L-A, TAMD74L-B, TAMD74P-A, TAMD74P-B, TAMD75P-A

REF	PART NO.	QTY	DESCRIPTION	SEE SEC.	NOTES
1	3835809	1	Intercooler		(3826340)
2	(3835810)	1	• Housing		(3826777), Obsolete part
3	3826778	1	• Tube		
4	3826779	1	• End plate		
5	3826780	1	• End plate		
6	3826783	4	• O-ring		
7	3826782	1	• Spacer		
8	3835811	1	• Insert		(3826781)
9	959224	10	• Hex. socket screw		
10	866760	1	• Plug		
11	838929	1	• Anode		
12	947624	1	• Gasket		
13		1	• Sleeve		
14	838928	1	• Plug		
15	3829433	2	Intake gasket		Included in gasket kit.
16	3826293	1	Gasket		Included in gasket kit.
17	479979	1	Plug		
18	965217	2	Flange screw		
19	941907	20	Spring washer		
20	946671	9	Flange screw		
21	965183	3	Flange screw		L=90mm
22	973098	1	Flange screw		
23	3826292	1	Tube		
24	864722	1	Sealing ring		
25	469510	1	Intermediate pipe		
26	866148	1	Sealing ring		
27	965182	2	Flange screw		L=80mm
28	965216	4	Flange screw		L=55mm
29	3828601	1	Protecting cap		
30	965184	1	Flange screw		L=100mm
31	965183	1	Flange screw		L=90mm
32	191172	1	Washer		
33	968303	1	Hexagon screw		L=190mm
34	3826297	1	Tube	3576	
35	864491	1	Gasket		
36	863231	1	Sealing ring		
37	945444	1	Flange screw		
38	945408	1	Flange nut		
39	954385	1	Elbow nipple		
40	944717	1	Support sleeve		
41	954364	1	Sleeve		
42	954356	2	Fitting nut		
43	945460	X	Tube		EDC: L=600mm, WJ/P-A: L=670mm
44		1	Ect sensor	4728	
45	954385	1	Elbow nipple		Alt
46	954364	1	Sleeve		Alt
47	944717	1	Support sleeve		Alt
48	954356	1	Fitting nut		Alt
49	3826786	1	Tube		For engines in with keel cooling.
50	866690	1	O-ring		For engines in with keel cooling.
51	842351	3	Spacer sleeve		For engines in with keel cooling.
52	965183	3	Flange screw		For engines in with keel cooling., L=90mm
53	3826300	1	Tube		For engines in with keel cooling.
54	864491	2	Gasket		For engines in with keel cooling.
55	945444	2	Flange screw		For engines in with keel cooling.
56	961671	1	Hose clamp		For engines in with keel cooling.
57	3826393	1	Hose		For engines in with keel cooling.
58	949918	1	Shut-off cock		For engines in with keel cooling.
59	479953	1	Elbow nipple		For engines in with keel cooling.
60	865754	1	Orifice sleeve		For engines in with keel cooling.
61	965184	2	Flange screw		For engines in with keel cooling., L=100mm
62	877063	1	Intake gasket kit, induction manifold		See group 99
	3838658	1	Overhaul gasket kit, charge air cooler		See group 99