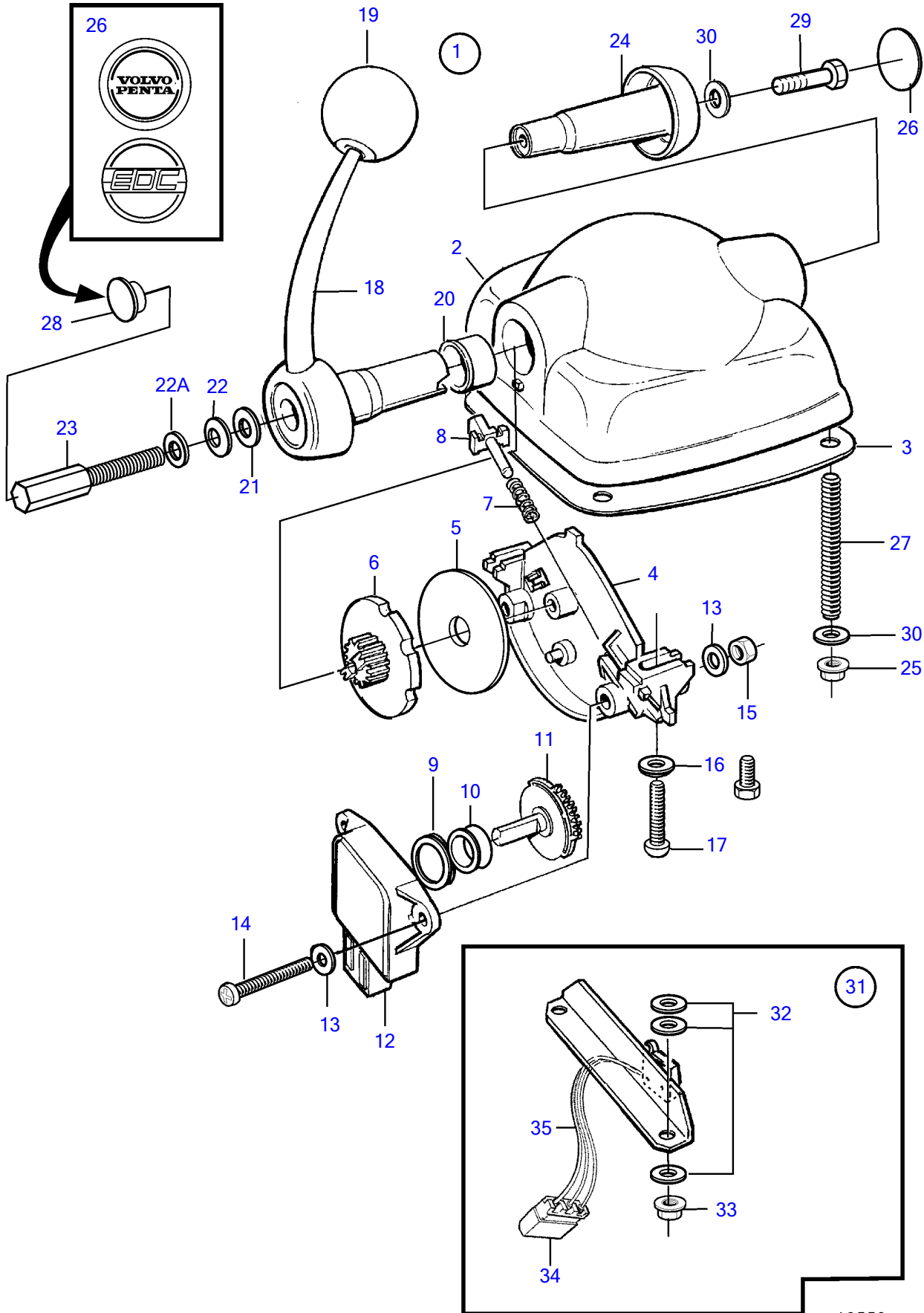


TAMD74C-A, TAMD74C-B, TAMD74L-A, TAMD74L-B, TAMD74P-A, TAMD74P-B, TAMD75P-A



TAMD74C-A, TAMD74C-B, TAMD74L-A, TAMD74L-B, TAMD74P-A, TAMD74P-B, TAMD75P-A

REF	PART NO.	QTY	DESCRIPTION	SEE SEC.	NOTES
1	874663	1	Control		For twin installation., (1140658)
3	3581674	1	• Gasket		
4		1	• Plate		
5	3581666	2	• Friction washer		
6		2	• Disc		
7		2	• Spring		
8		2	• Guide lug		
9		2	• Spacer ring		
10	3581676	2	• Ring		
11	(3581668)	2	• Gear		Obsolete part
12	1336385	2	• Potentiometer		
13		4	• Washer		
14	3581678	2	• Screw		
15	3581680	2	• Nut		
16		2	• Washer		
17	3581681	2	• Screw		
18		2	• Shift lever		
19	3581675	2	• Ball		
20	(3581673)	2	• Bearing		Obsolete part
21		2	• Washer		
22		2	• Disc spring		
22A		2	• Washer		
23		2	• Adjusting screw		
25	3581686	4	• Nut		
26	3581669	2	• Decal		
27		4	• Stud		
28	3582830	2	• Plug		
30		4	• Washer		
31	3818851	2	Microswitch		(873870)
35		1	Control panel		
				4372	