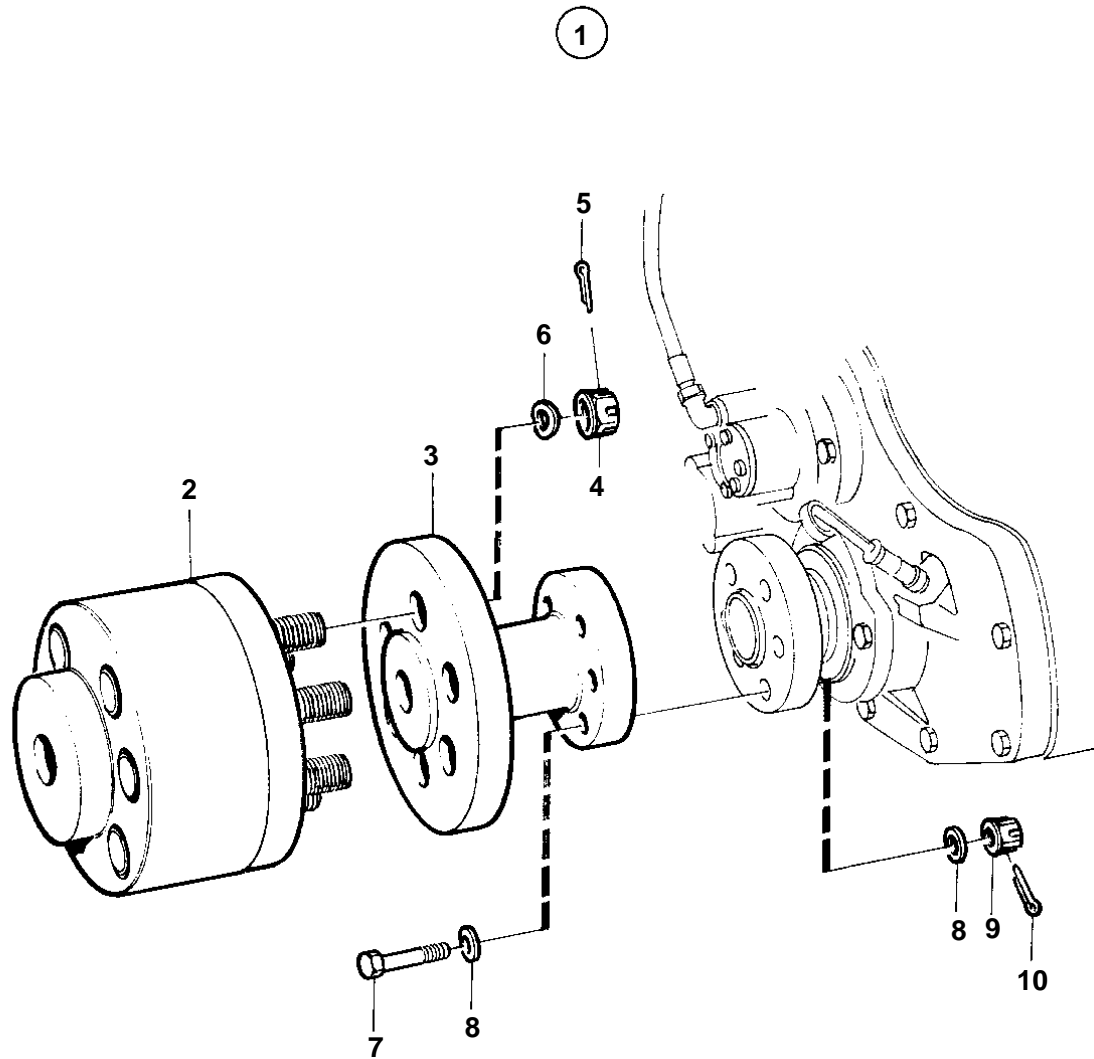


TAMD61A, TAMD71A, TAMD71B, TAMD72A



8759

TAMD61A, TAMD71A, TAMD71B, TAMD72A

REF	PART NO.	QTY	DESCRIPTION	NOTES
1		1	Elastic clutch	COMPL. For reverse gear twin disc MG502.
2		1	· Clutch	
3	848040	1	· Spacer flange	
4	955886	6	· Nut	
5	907861	6	· Cotter pin	
6	941912	6	· Spring washer	
7	955694	6	· Screw	
8	955896	12	· Washer	
9	955883	6	· Nut	
10	907834	6	· Cotter pin	