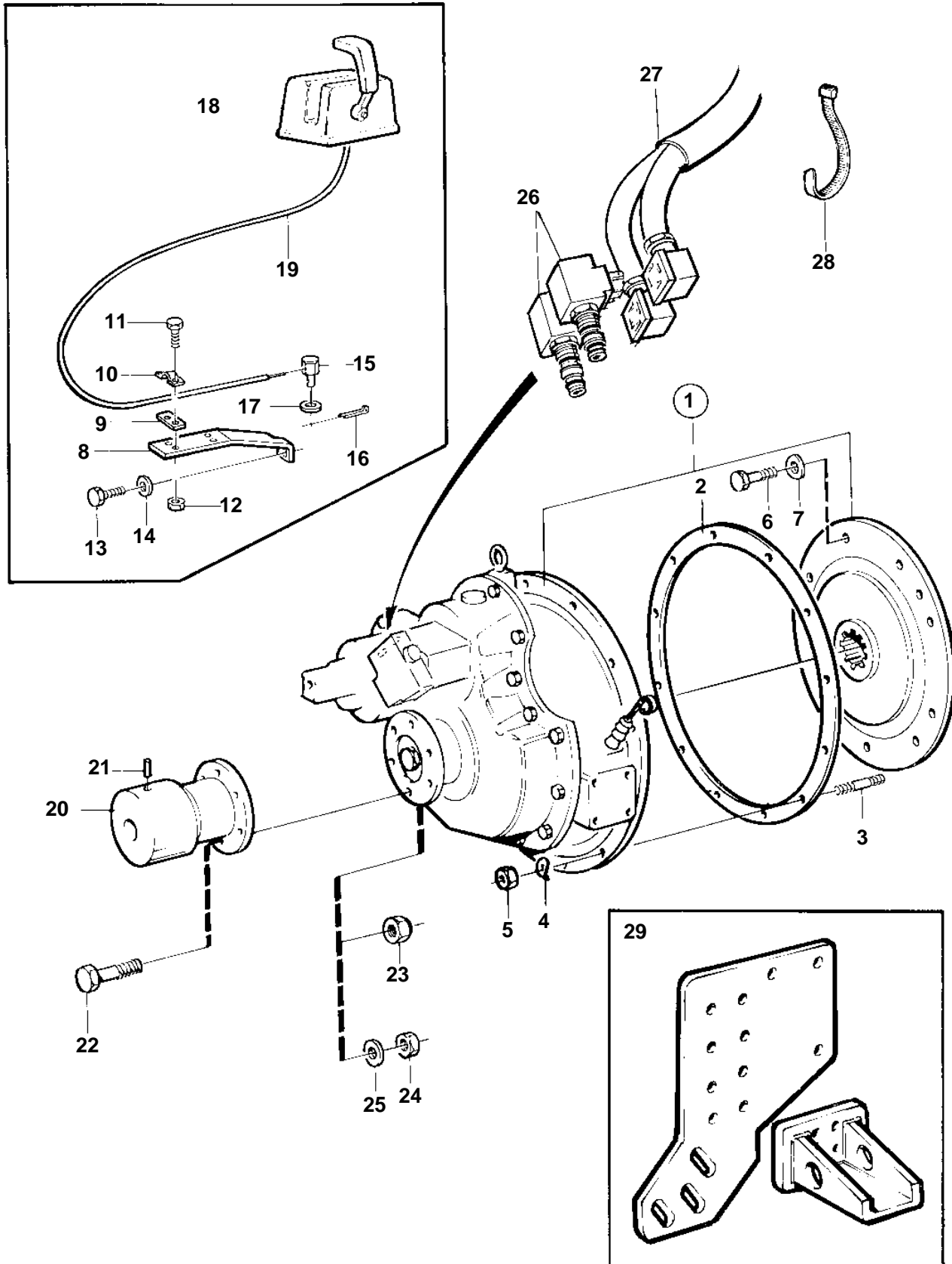


TAMD72P-A, TAMD73P-A



TAMD72P-A, TAMD73P-A

REF	PART NO.	QTY	DESCRIPTION	NOTES
1		1	Reversing gear Comps. not spec.	RATIO -2.99:1
2	862623	1	Gasket	
3	953486	11	Stud	
4	942336	11	Spring washer	
5	955827	11	Nut	
6	956582	8	Screw	
7	942336	8	Spring washer	
8	863483	1	Bracket	
9	819068	1	Washer	
10	819067	1	Brace	For control cable 333, 33c.
	6853782	1	Clamp	For control cable 443, 43c.
11	956079	2	Screw	
12	963104	2	Nut	
13	970948	1	Screw	
14	941908	1	Spring washer	
15	853217	1	Cube	
16	17253	1	Cotter pin	
17	940191	1	Washer	
18		X	Control	SEE GROUP 27
19		X	Control cable	SEE GROUP 27
20	842106	1	Clutch flange	For reverse gear RATIO -1.98:1.
	865434	1	Clutch flange	For reverse gear RATIO 2.98:1-.
21	965011	2	Pin	For reverse gear RATIO 2.98:1-.
22	955739	6	Screw	L=64mm. For reverse gear RATIO -1.98:1.
	955751	6	Screw	L=64mm. For reverse gear RATIO 2.98:1-.
23	950379	6	Nut	For reverse gear RATIO 2.98:1-.
24	950378	6	Nut	For reverse gear RATIO -1.98:1.
25	941912	6	Spring washer	For reverse gear RATIO -1.98:1.
	941914	6	Spring washer	For reverse gear RATIO 2.98:1-.
26	3825653	1	Actuator solenoid	12V
	3825654	1	Control magnet kit	24V
27	873827	1	Cable kit	(873659)
28	948211	2	Strip clamp	
29		2	Engine suspension	SEE GROUP 21