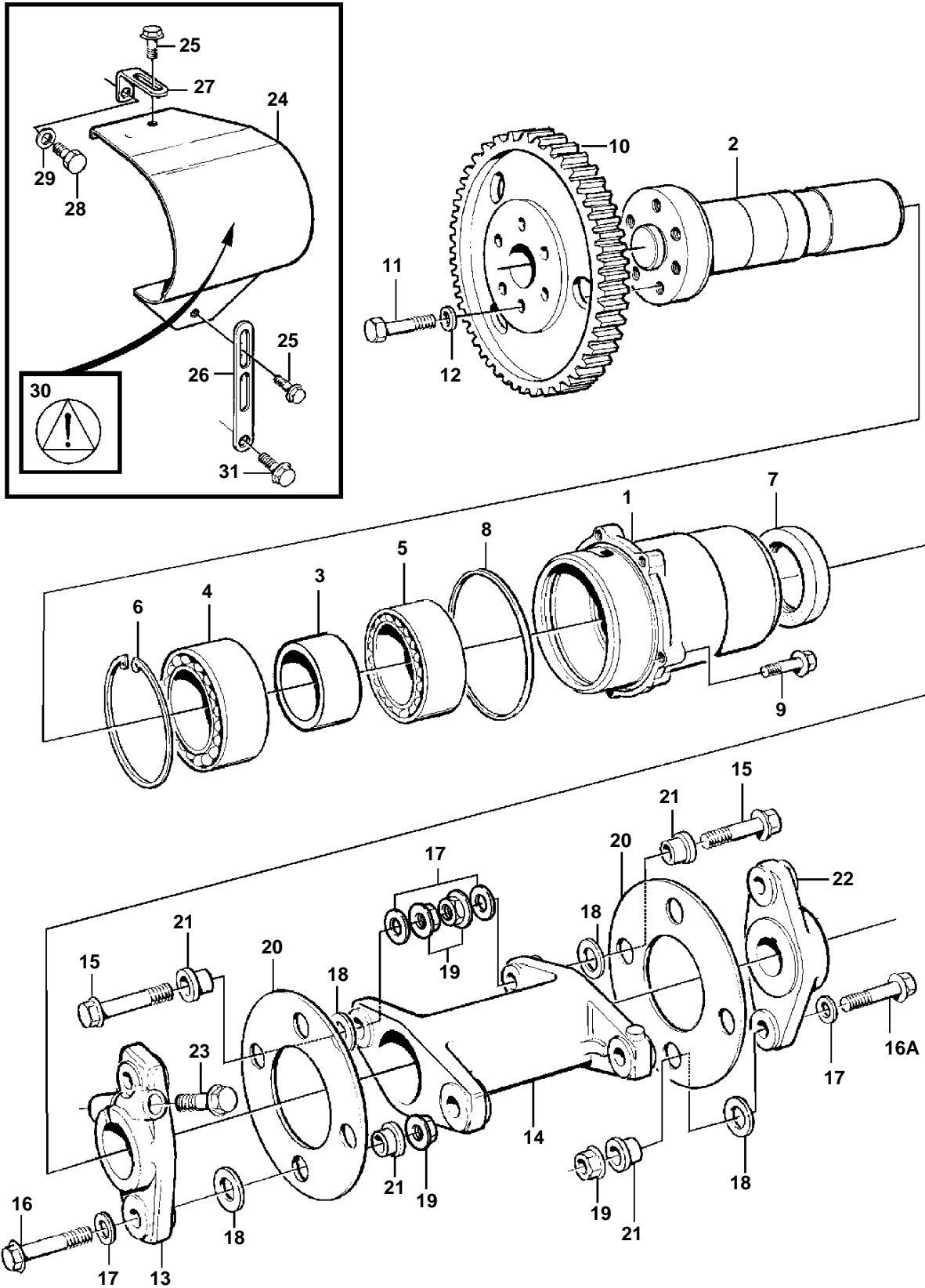


TAMD72P-A, TAMD72WJ-A



17109

TAMD72P-A, TAMD72WJ-A

REF	PART NO.	QTY	DESCRIPTION	NOTES
1	478799	1	Bearing housing	
2	478411	1	Axle shaft	
3	1546132	1	Stop ring	
4	184788	1	Ball bearing	
5	11014	1	Ball bearing	
6	914540	1	Lock ring	
7	1546221	1	Sealing ring	
8	423123	1	Sealing ring	
9	948336	5	Lock screw	(946671)
10	478429	1	Gear	
11	471534	6	Screw	
12	942385	6	Disc spring	
13	1547352	1	Companion flange	
14	1556175	1	Intermediate section	
15	965185	4	Flange screw	L=40mm
16	965220	2	Flange screw	L=45mm
16A	965185	2	Flange screw	L=40mm
17	960148	8	Washer	10,5x22x2mm
18	479399	8	Washer	15x28x2mm
19	971095	8	Nut	
20	479458	8	Disc	
21	478897	8	Sleeve	
22	478358	1	Companion flange	TAMD72P-A
	1547351	1	Companion flange	TAMD72WJ-A
23	471529	1	Screw	
24	3825430	1	Protecting plate	TAMD72P-A
	865745	1	Protecting plate	TAMD72WJ-A
25	965175	2	Screw	
26	965545	1	Bracket	(965542)
27	965552	1	Bracket	
28	946440	1	Flange screw	
29	941907	1	Spring washer	EARLY TYPE
30	3827294	1	Decal	
31		1	Screwengine bracket	SEE GROUP 21