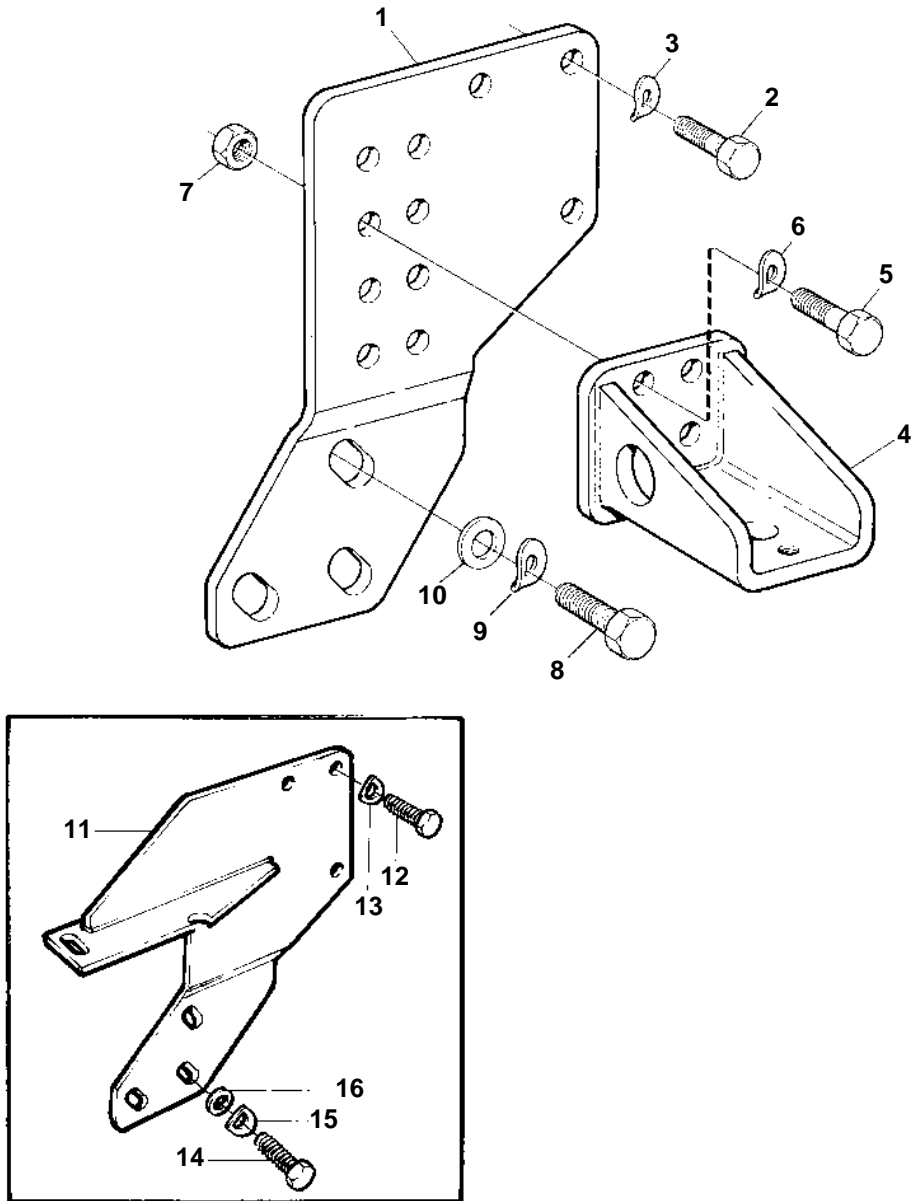


TAMD71B, TAMD72P-A, TAMD73P-A



9487

**Engine Suspension for Reverse Gear MG 507, MG 507-1, MG 507-1E, MG 507A, MG 507A-1, MG 507A-1E**

**21**

TAMD71B, TAMD72P-A, TAMD73P-A

REF	PART NO.	QTY	DESCRIPTION	NOTES
1	848375	1	Bracket	SB 28
	848376	1	Bracket	P 28
2	970900	6	Screw	
3	940280	6	Spring washer	
4	848369	2	Bracket	28
5	970900	8	Screw	
6	940280	8	Spring washer	
7	963108	8	Nut	
8	955363	6	Screw	
9	941912	6	Spring washer	
10	955900	6	Washer	
11	863267	1	Bracket	SB 28
	863268	1	Bracket	P 28
12	970900	6	Screw	
13	940280	6	Spring washer	
14	955363	6	Screw	
15	941912	6	Spring washer	
16	955900	6	Washer	