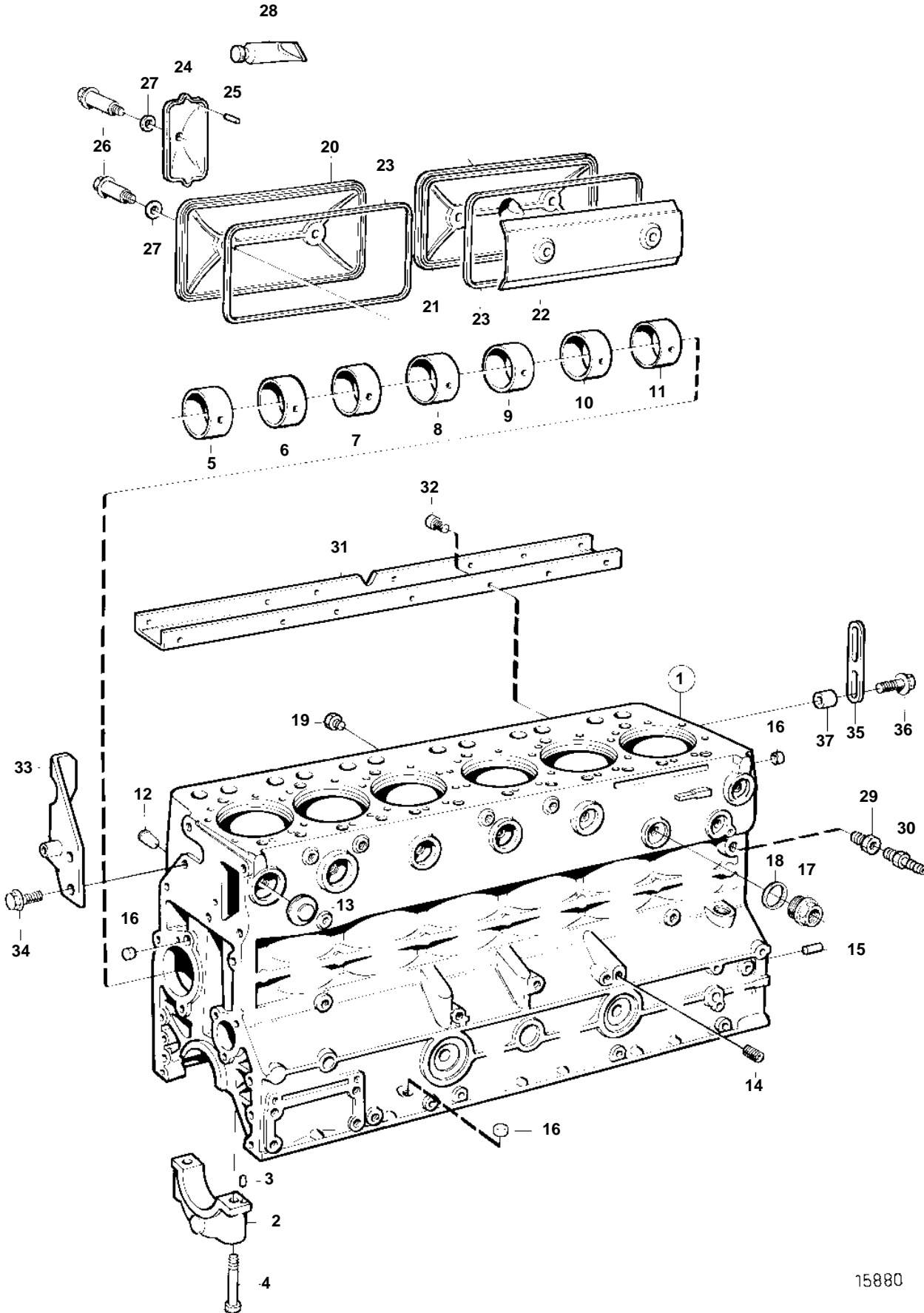


TAMD72P-A, TAMD72WJ-A



15880

TAMD72P-A, TAMD72WJ-A

REF	PART NO.	QTY	DESCRIPTION	NOTES
1	477990	1	Cylinder block	SNXXXXXXXXXX/64647-
2		7	· Main bearing cap	
3	422426	1	· Pin	
4	465899	14	· Screw	
5	422076	1	· Bushing	
6	422077	1	· Bushing	
7	422078	1	· Bushing	
8	422079	1	· Bushing	
9	422080	1	· Bushing	
10	422081	1	· Bushing	
11	422082	1	· Bushing	
12	422369	2	· Plug	
13	968955	6	· Expansion plug	
14	968145	1	· Plug, 3/8-NPTF	
15	191171	2	· Pin, flywheel cover	
16	955082	6	· Cap plug	
	955082	2	Cap plug	
17	848565	1	Nipple, cool. water pipe	SEE GROUP 25
18	469328	1	Gasket	
19	479976	1	Plug, cool. water pipe	(946559)
20	420120	1	Inspection cover	
21	420121	1	Inspection cover, crankcase vent.	
22	471858	1	Splash plate	
23	421121	2	Gasket	
24	471854	1	Cover	
25		1	Spring pin	
26	471855	5	Screw	
27	471856	5	Sealing ring	
28	1161231	X	Sealant	304ml
	1161277	X	Sealant	20g
29	479954	1	Nipple	
30	947893	1	Drain cock	
31	865779	1	Bracket	
32	959220	7	Screw	
33	847932	1	Lifting eye	
34	965191	2	Screw	
35		1	Lifting eye	
36	965225	2	Flange screw	
37	847237	1	Sleeve	