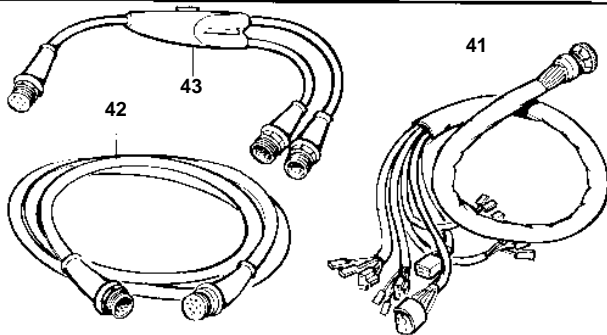
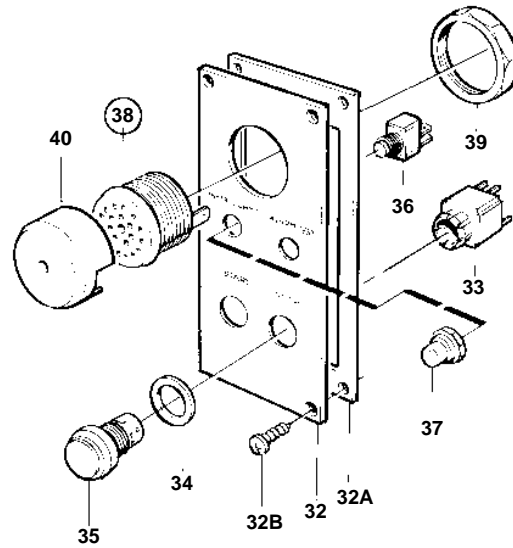
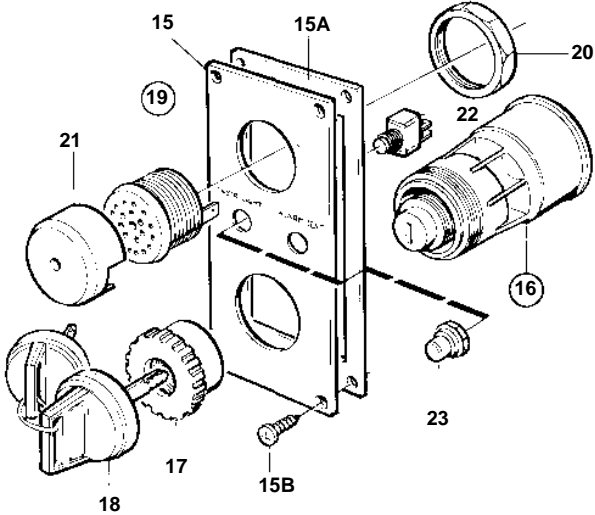
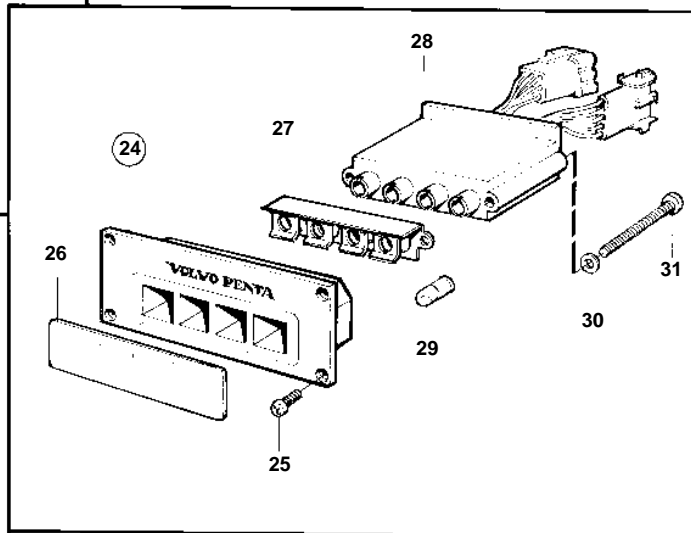
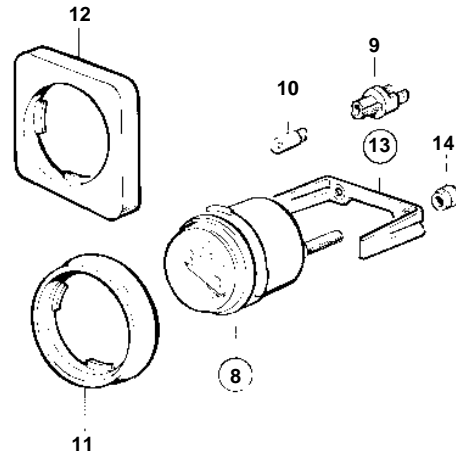
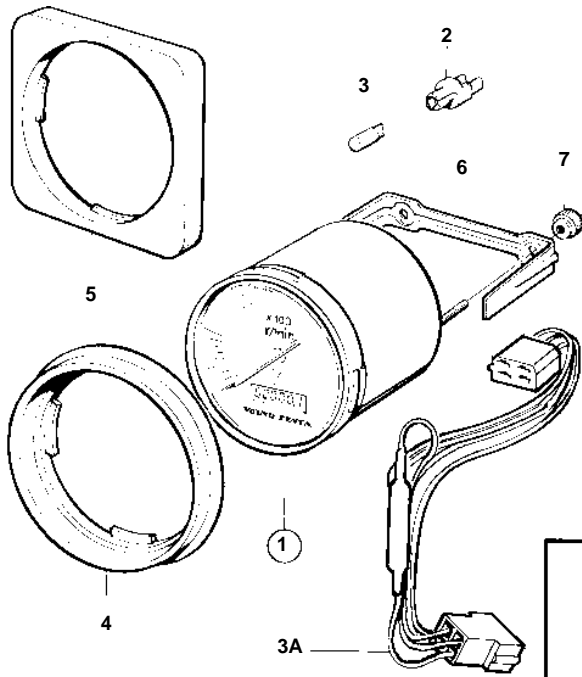


COMMON



16152

COMMON

| REF | PART NO. | QTY | DESCRIPTION | SEE SEC. | NOTES |
|-----|----------|-----|----------------------------------|----------|---|
| 1 | 873586 | 1 | Rev counter kit | | REPLACED BY 876750. Replaced by 1 ea tachometer kit 876750. |
| 1 | 876750 | 1 | Rev counter kit | | 3400 RPM |
| 2 | 863945 | 1 | • Bulb socket | | |
| 3 | 863946 | 1 | • Bulb | | 12V, 1,2W RED |
| 3A | 873695 | 1 | • Diode cable | | |
| 4 | 873517 | 1 | Front ring | | ALT, D=75mm |
| 5 | | 1 | Instrument frame | | ALT, D=75mm |
| 6 | 873208 | 1 | Retainer | | |
| 7 | | 2 | • Nut | | |
| 8 | 873195 | 1 | Temperature gauge | | 40-120°C |
| | 873197 | 1 | Oil pressure gauge | | 10x100kPa |
| | 873201 | 1 | Oil pressure gauge, reverse gear | | 30x100kPa |
| | 873199 | 1 | Voltmeter | | |
| | 873205 | 1 | Turbo pressure gauge | | |
| | | | | | |
| | | | | | |
| 9 | 863945 | 1 | • Bulb socket | | |
| 10 | 863946 | 1 | • Bulb | | |
| 11 | 858643 | 1 | Front ring | | ALT, D=52mm |
| 12 | 856822 | 1 | Instrument frame | | ALT, D=52mm |
| 13 | 873207 | 1 | Retainer | | |
| 14 | | 2 | • Nut | | |
| 15 | 873271 | 1 | Panel | | |
| 15A | 873273 | 1 | Gasket | | |
| 15B | 828647 | 4 | Screw | | |
| 16 | 864277 | 1 | Starter switch | | |
| 17 | 859955 | 1 | • Plastic nut | | |
| 18 | 859953 | 2 | • Key | | State key code when ordering. |
| | | | • Bulletin 49-30 | 49-30-EN | Key P/N 859953 |
| 19 | 828587 | 1 | Buzzer | | |
| 20 | | 1 | • Nut | | |
| 21 | 858795 | 1 | Protecting casing | | |
| 22 | 828584 | 1 | Switch | | ALARM TEST |
| | 828585 | 1 | Switch | | INSTR. LIGHT |
| 23 | 828586 | 2 | Nut | | |
| 24 | 858876 | 1 | Symbol panel | | |
| 25 | 828647 | 4 | • Screw | | |
| 26 | 858645 | 1 | • Symbol strip | | |
| 27 | 828784 | 1 | Reflector | | |
| 28 | 873737 | 1 | Electronic unit | | (873209) |
| 29 | 19923 | 4 | Bulb | | |
| | | | | | |
| 30 | 941904 | 2 | Spring washer | | |
| 31 | 941615 | 2 | Screw | | |
| 32 | 873272 | 1 | Panel | | |
| 32A | 873273 | 1 | Gasket | | |
| 32B | 828647 | 4 | Screw | | |
| 33 | 876950 | 1 | Push button | | START, GREEN |
| | 876950 | 1 | Push button | | STOP, RED |
| 34 | | 2 | • Gasket | | |
| 35 | | 2 | • Push button | | |
| 36 | 828584 | 1 | Switch | | ALARM TEST |
| | 828585 | 1 | Switch | | INSTR. LIGHT |
| 37 | 828586 | 2 | Nut | | |
| 38 | 828587 | 1 | Buzzer | | |

COMMON

| REF | PART NO. | QTY | DESCRIPTION | SEE SEC. | NOTES |
|-----|----------|-----|-------------------|----------|--------------|
| 39 | | 1 | • Nut | | |
| 40 | 858795 | 1 | Protecting casing | | |
| 41 | 873579 | 1 | Wiring harness | | MAIN STATION |
| | 873580 | 1 | Wiring harness | | FLY BRIDGE |
| 42 | 846648 | X | Extension cable | | L=3,0m |
| | 846649 | X | Extension cable | | L=5,0m |
| | 846650 | X | Extension cable | | L=7,0m |
| | 873838 | X | Extension cable | | L=9,0m |
| | 873839 | X | Extension cable | | L=11,0m |
| 43 | 1140598 | X | Y-koppling | | |