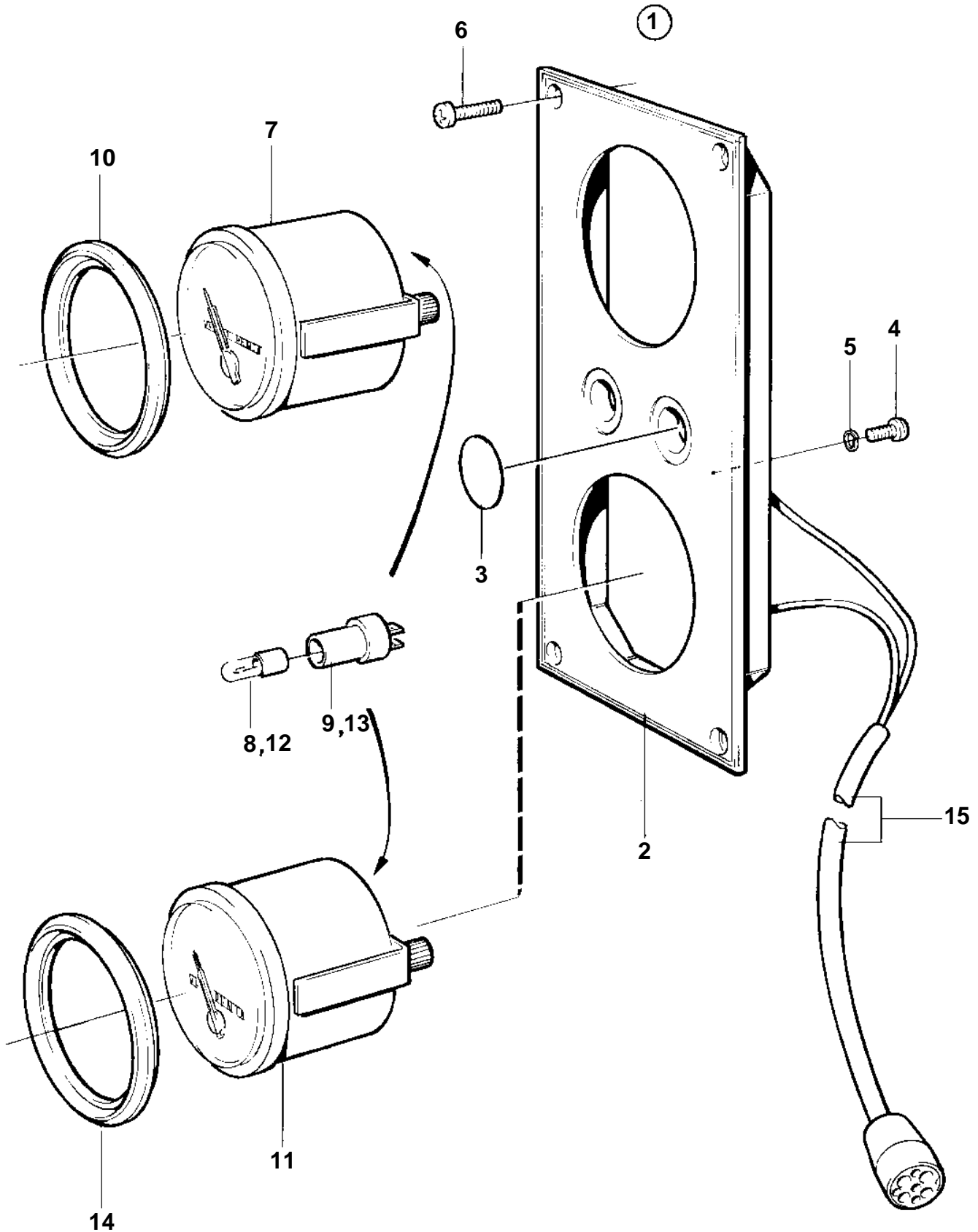


COMMON



COMMON

REF	PART NO.	QTY	DESCRIPTION	SEE SEC.	NOTES
1	864053	1	Instrument panel		White coloured stripe.
2		1	· Instrument panel		
3	828607	2	· · Cover plate		
4	949947	1	· · Screw		
5	941904	1	· · Spring washer		
6	828647	4	· · Screw		
7	873202	1	· Oil pressure gauge		(863937)
8	863947	1	· · Bulb		RED. For instruments of early production should white bulb 182059 and bulb holder 808175 be mounted.
9	863945	1	· · Bulb socket		For instruments of early production should white bulb 182059 and bulb holder 808175 be mounted.
10	858643	1	· Front ring		
11	873206	1	Turbo pressure gauge		0-3bar
12	863947	1	· · Bulb		RED. For instruments of early production should white bulb 182059 and bulb holder 808175 be mounted.
13	863945	1	· · Bulb socket		For instruments of early production should white bulb 182059 and bulb holder 808175 be mounted.
14	858643	1	· Front ring		
15		X	· Cable trunkElectrical materials	1963	Turbocharge-reverse gear.