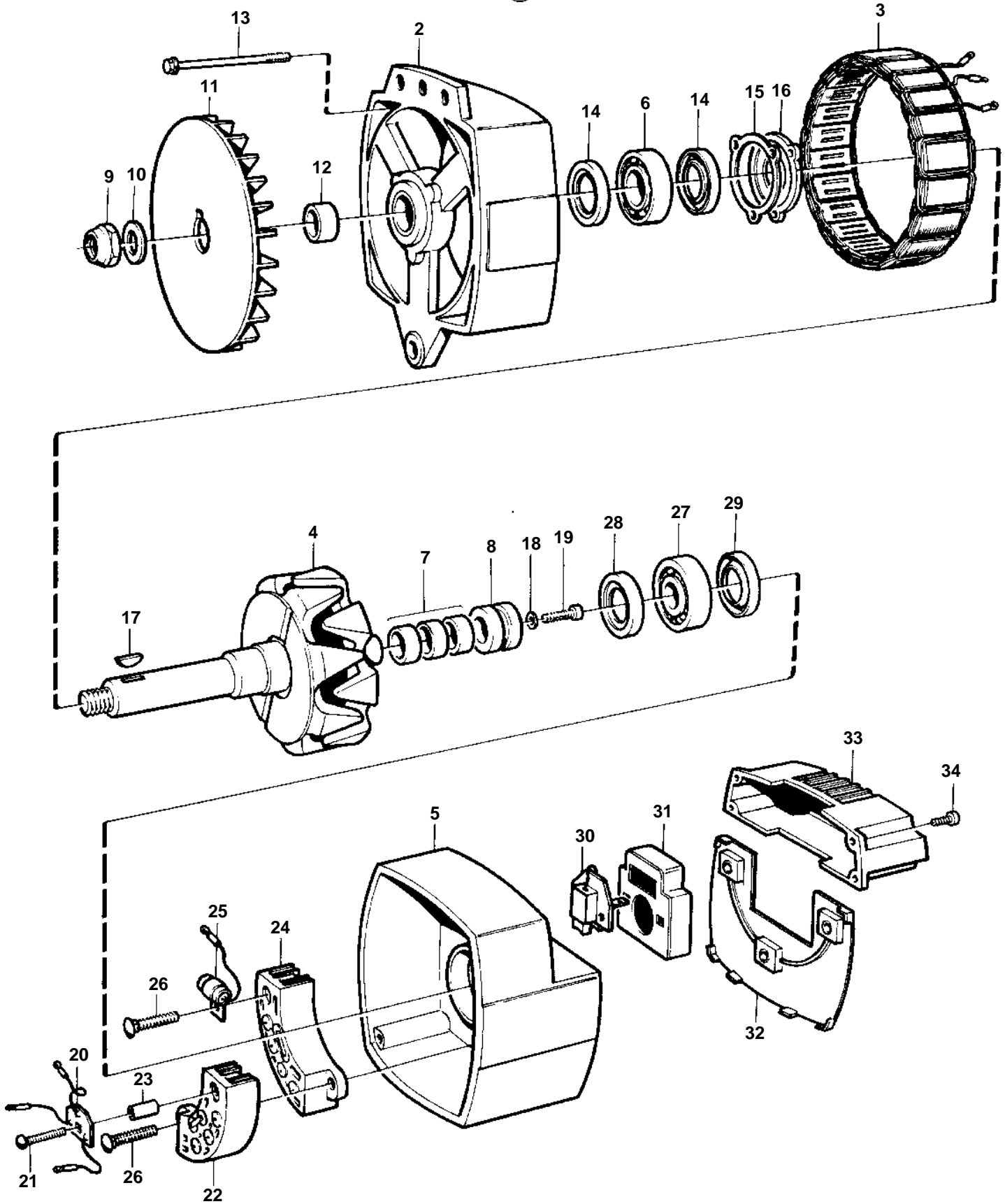


1



8659

| REF | PART NO. | QTY | DESCRIPTION | NOTES |
|-----|----------|-----|--------------------|--|
| 1 | 849748 | 1 | Alternator | 28V, 100A. For 24 voltage electric system. |
| | 3803499 | 1 | Alternator,exch | Exchange unit |
| 2 | | 1 | · End plate | |
| 3 | | 1 | · Stator | |
| 4 | | 1 | · Rotor | |
| 5 | | 1 | · End plate | |
| 6 | 862509 | 1 | · Bearing | |
| 7 | 862510 | 1 | · Bearing | |
| 8 | 862511 | 1 | · Slip ring | |
| 9 | | 1 | · Nut | |
| 10 | | 1 | · Washer | |
| 11 | | 1 | · Fan | |
| 12 | | 1 | · Spacer | |
| 13 | | 4 | · Screw | |
| 14 | | 1 | · Seal | |
| 15 | 862521 | 1 | · Retainer | |
| 16 | | 1 | · Retainer | |
| 17 | | 1 | · Key | |
| 18 | | 2 | · Washer | |
| 19 | | 1 | · Screw | |
| 20 | 862512 | 1 | · Diode | |
| 21 | | 1 | · Screw | |
| 22 | 862513 | 1 | · Rectifier plate | POS |
| 23 | | 1 | · Sleeve | |
| 24 | 862514 | 1 | · Rectifier plate | NEG |
| 25 | | 1 | · Kit | |
| 26 | | 2 | · Screw | |
| 27 | 862516 | 1 | · Bearing | |
| 28 | | 1 | · Seal | |
| 29 | | 1 | · Seal | |
| 30 | 862517 | 1 | · Carbon brush set | |
| 31 | | 1 | · Cover | |
| 32 | | 1 | · Housing | |
| 33 | 862526 | 1 | · Charge regulator | |
| 34 | | 2 | · Screw | |