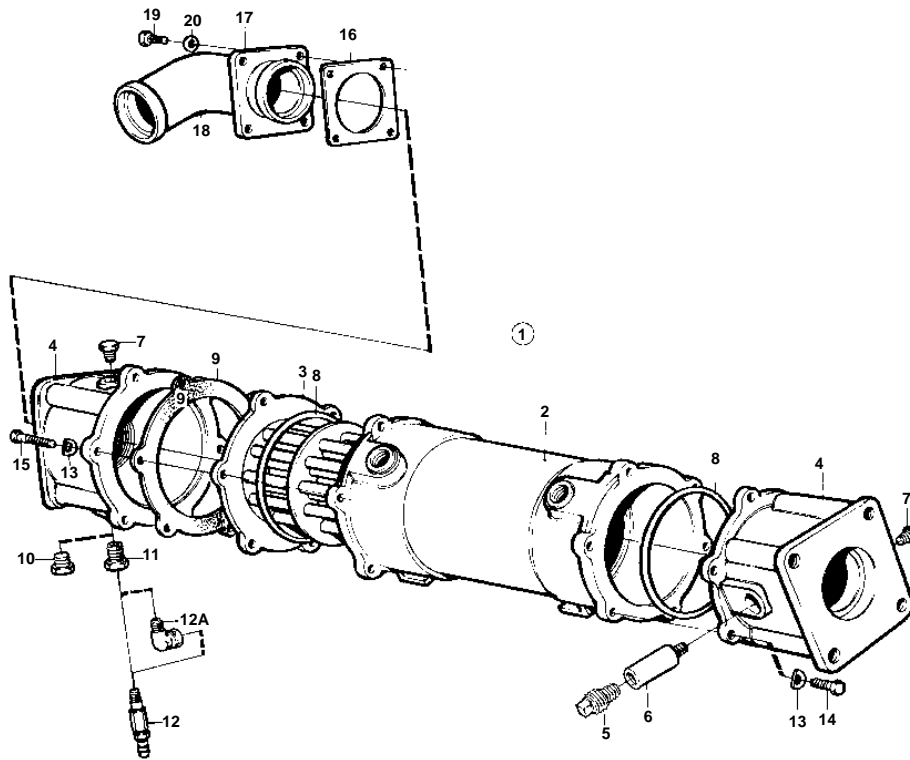


COMMON



15562

## COMMON

REF	PART NO.	QTY	DESCRIPTION	NOTES
1		1	Oil cooler	REPLACED BY 862842
2	863259	1	· Housing	
3	3825938	1	· Insert	(864212)
4	848178	2	· Cover	
5	838928	1	· Plug	
6	838929	1	· Zinc anod	
7	180759	5	· Plug	
8	806154	2	· Sealing ring	
9	862601	1	· Gasket	
10	479956	1	· Plug	EARLY TYPE (192154)
11	479954	1	· Nipple	LATE TYPE (190130)
12	966871	1	· Tap	D=1/8, EARLY TYPE
	949918	1	· Drain cock	D=1/4, LATE TYPE
13	949607	12	· Spring washer	
14	955272	6	· Screw	L=20mm
15	955274	6	· Screw	L=25mm
16	862592	1	· Gasket	
17	842029	1	· Flange	
18	848596	1	· Hose attachment	
19	970947	4	· Screw	
20	941908	4	· Spring washer	