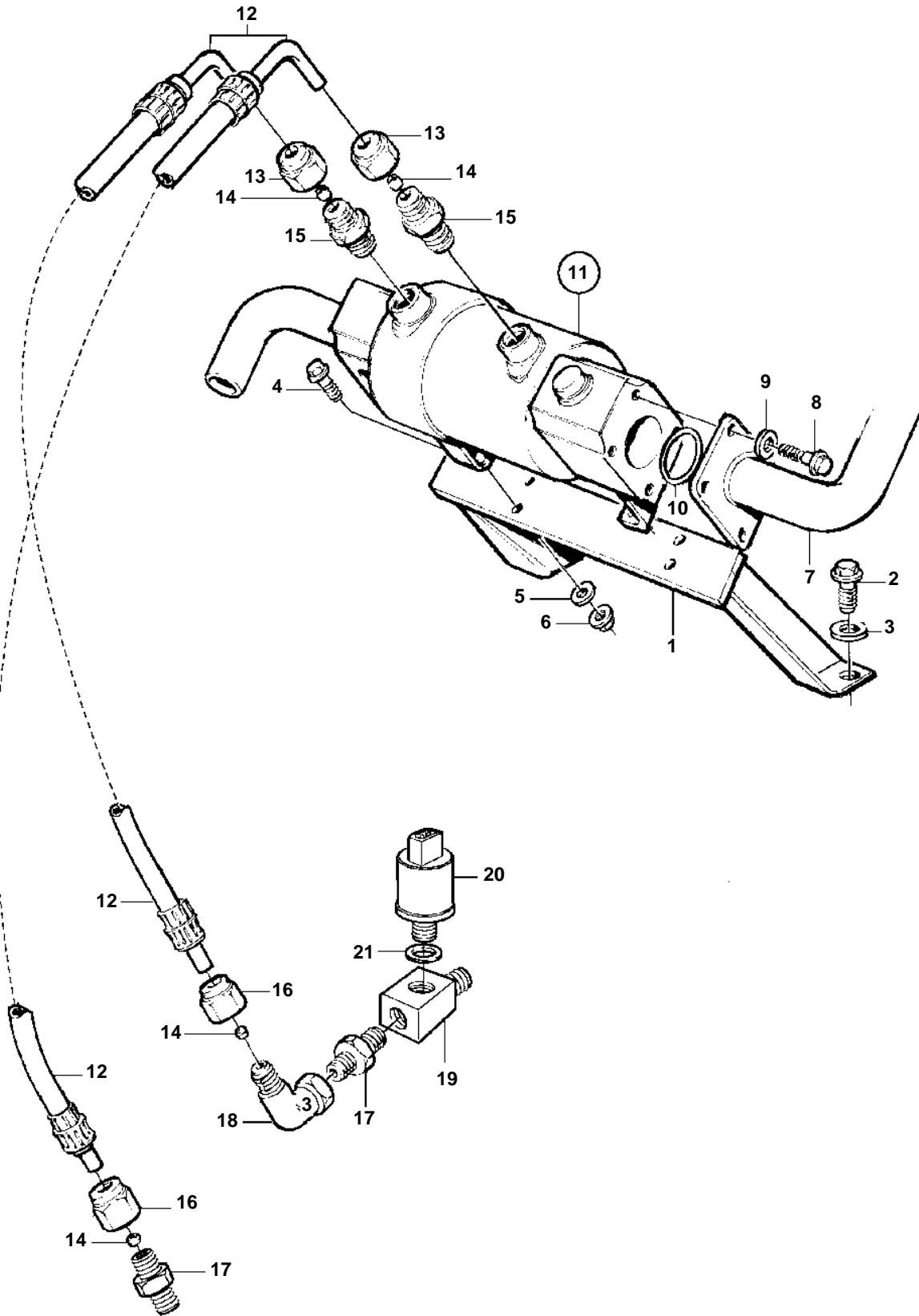


TAMD72P-A



17159

TAMD72P-A

REF	PART NO.	QTY	DESCRIPTION	SEE SEC.	NOTES
1	848098	1	Bracket		
2	965191	2	Screw		
3	940280	2	Spring washer		
4	955295	4	Screw		
5	941907	4	Spring washer		
6	955782	4	Nut		
7		1	Coolant pipe	3566	
8	970947	4	Screw		
9	941908	4	Spring washer		
10	864491	1	Gasket		
11		1	Oil cooler		
				764	
12	847165	1	Hose		L=580mm
	837935	1	Hose		L=460mm
13	941331	2	Nut		
14	1677898	4	Ferrule		(956970)
15	968132	2	Nipple		
16	956984	2	Nut		
17	941750	2	Nipple		
18	964016	1	Nipple		
19	842425	1	Nipple		
20		1	Pressure sensorreverse gear		SEE GROUP 30
21		1	Gasket		SEE GROUP 30