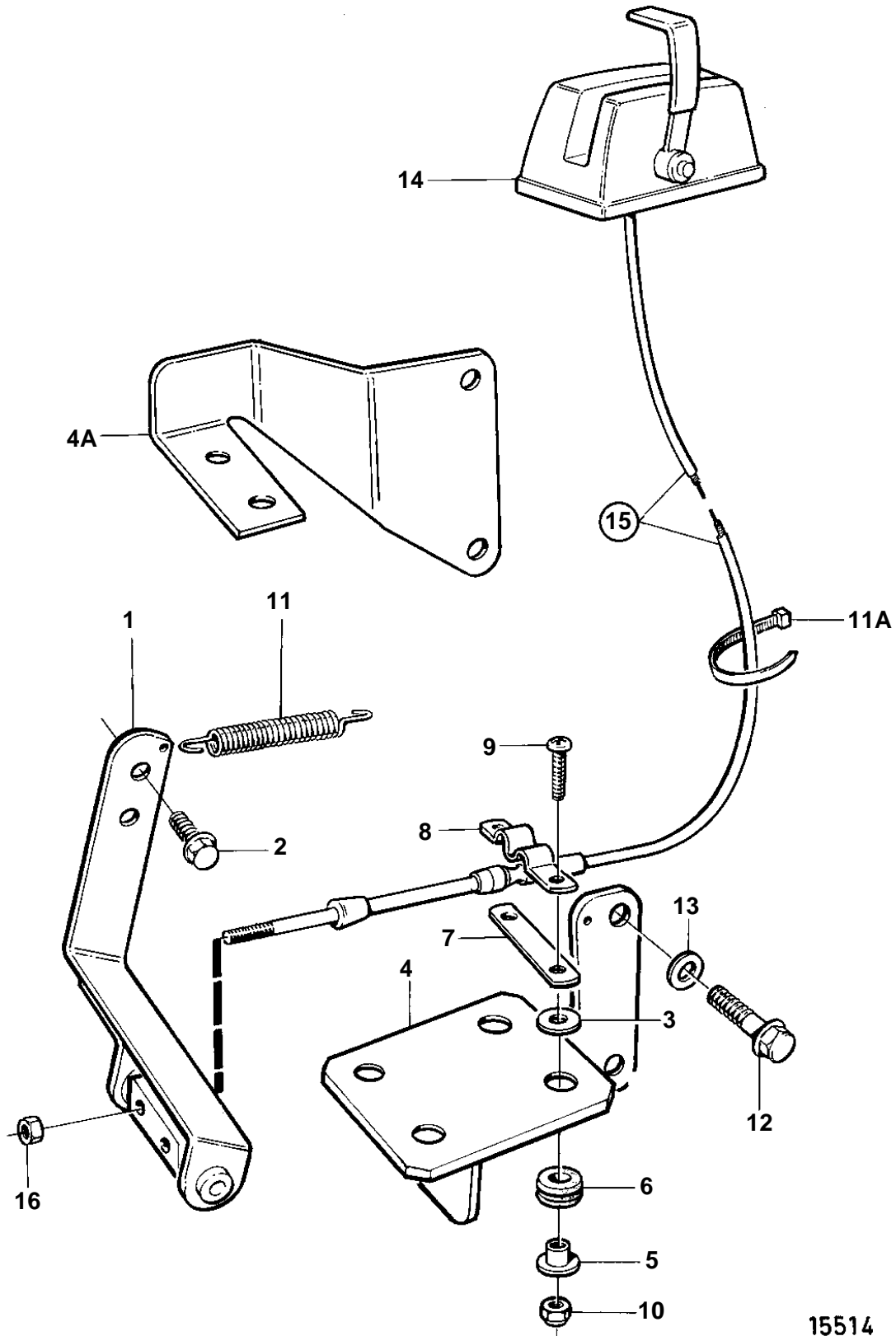


TAMD72WJ-A



15514

TAMD72WJ-A

| REF | PART NO. | QTY | DESCRIPTION | SEE SEC. | NOTES |
|-----|----------|-----|----------------------------|----------|--------------|
| 1 | 865023 | 1 | Lever | | |
| 2 | 965175 | 2 | Screw | | |
| 3 | 960138 | 2 | Washer | | |
| 4 | 866652 | 1 | Bracket | | LATE TYPE |
| 4A | 865024 | 1 | Bracket | | EARLY TYPE |
| 5 | 824830 | 2 | Spacer sleeve | | |
| 6 | 824834 | 2 | Bushing | | |
| 7 | 850183 | 1 | Spacer | | |
| 8 | 850182 | 1 | Cable attachment | | |
| 9 | 956080 | 2 | Screw | | |
| 10 | 963104 | 2 | Nut | | |
| 11 | 1586922 | 1 | Spring | | FOR 866652 |
| | | 1 | Return springstop solenoid | 2498 | SEE GROUP 21 |
| 11A | 948211 | 1 | Strip clamp | | |
| 12 | | 2 | Screw | | SEE GROUP 21 |
| 13 | | 2 | Washer | | |
| 14 | | X | Control | 264 | |
| 15 | | X | Control cable | 231 | |
| 16 | | X | · Nut | | |