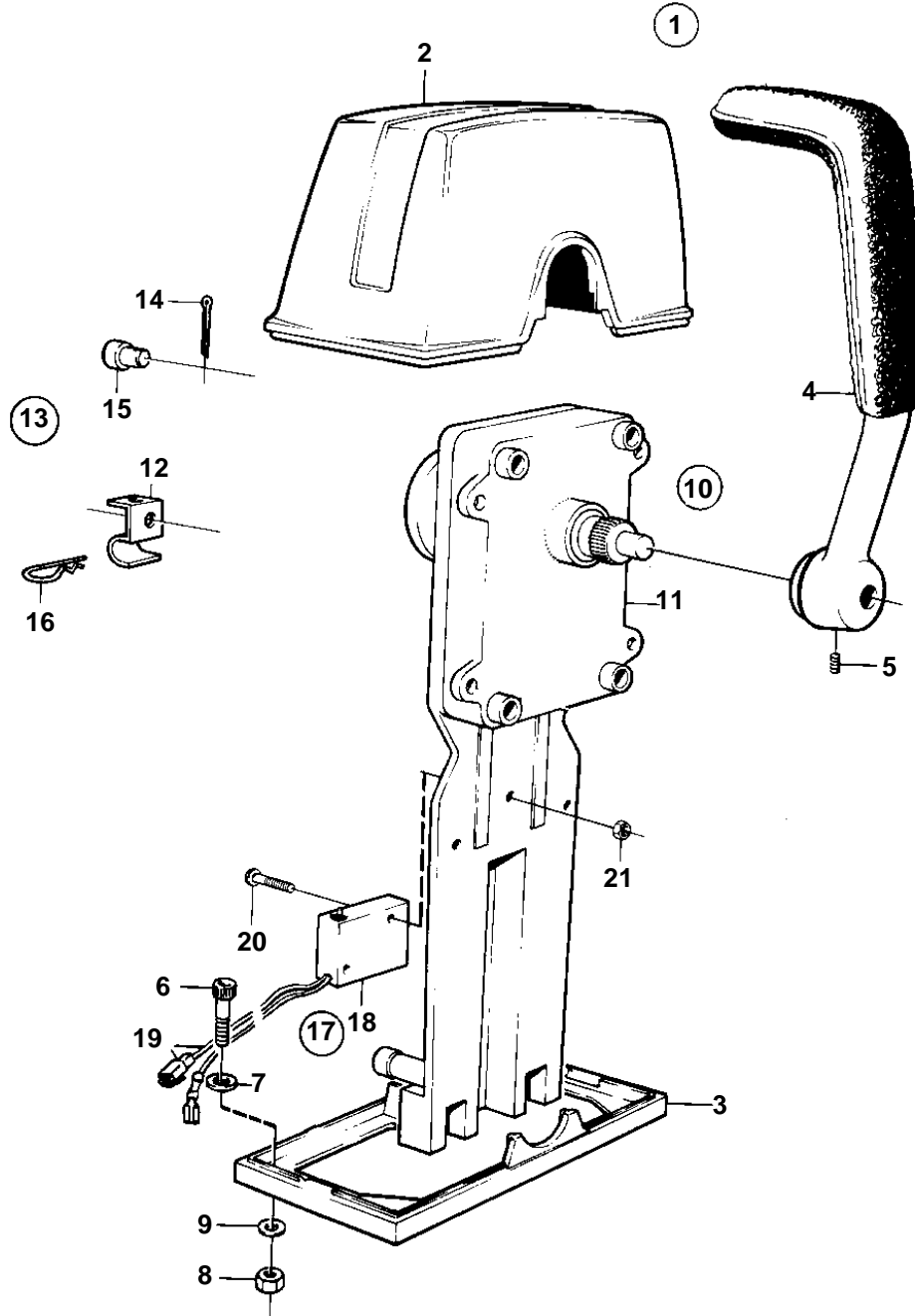


COMMON, KAD32P-A, TAM42WJ-A, KAMD42P-A, KAD42P-A, KAMD43P-A, KAD43P-A, TAM463L-A, TAM463P-A, TAM471B, TAM472WJ-A, TMD122A, TAM4122A, TAM4122P-A



9266

COMMON, KAD32P-A, TAMD42WJ-A, KAMD42P-A, KAD42P-A, KAMD43P-A, KAD43P-A, TAMD63L-A, TAMD63P-A, TAMD71B, TAMD72WJ-A, TMD122A, TAMD122A, TAMD122P-A

REF	PART NO.	QTY	DESCRIPTION	NOTES
1	851602	1	Mounting kit	For single installation.
2	850823	1	• Cover	(839472)
3	839474	1	• Plate	
4	839475	1	• Lever	
5	839693	1	• Lock screw	
6	947671	4	• Allen head screw	
7	940090	2	• Washer	
8	955780	4	• Nut	
9	960138	4	• Washer	
10	851600	1	Control	
11		1	• Control mechanism	
12	853423	1	• Retainer	
13		1	• Connector kit	
14	17253	2	• • Cotter pin	
15	839638	2	• • Cube	
16	852924	1	• • Clip	
17	855352	1	Neutral posit contac	
18	850200	1	• Switch	
19		X	• • Cables and terminals	SE GROUP 30
20	946177	2	• Screw	
21	947536	2	• Nut	