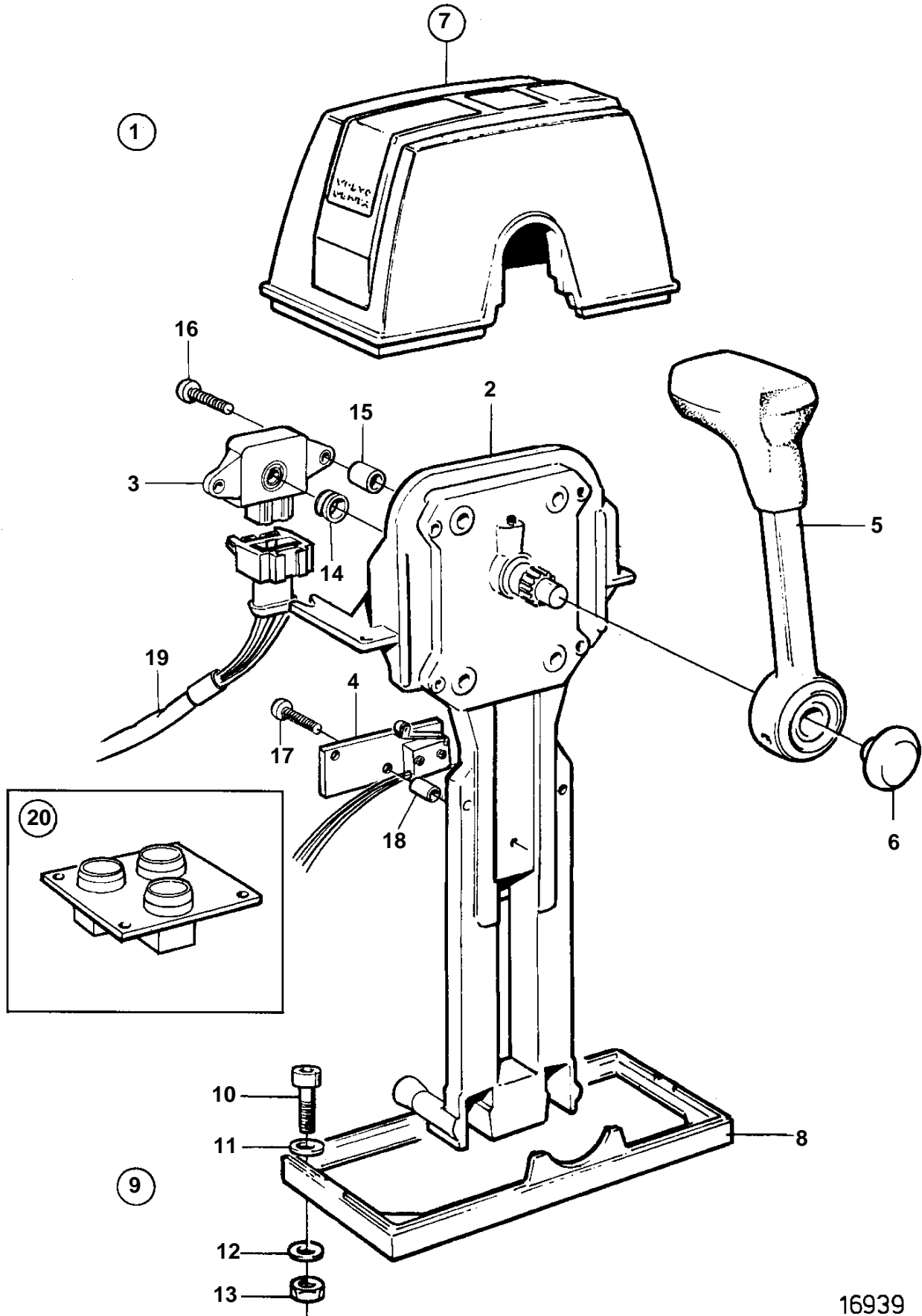


TAMD72P-A



16939

TAMD72P-A

REF	PART NO.	QTY	DESCRIPTION	SEE SEC.	NOTES
1	1140635	2	Control		REPL BY 873864. Can be upgraded with kit 873867.
	873864	2	Control		
2	873862	2	· Control mechanism		(1146031)
3	1336385	2	· · Potentiometer		
4	873867	2	· · Microswitch		
5	852347	2	· Lever		
				266	
6	853004	2	· Push button		
7	1140636	2	· Cover		
8	839479	1	· · Plate		
9	852385	1	· Screw kit		
10	947671	4	· · · Allen head screw		
11	940090	4	· · · Washer		
12	960138	4	· · · Washer		
13	955780	4	· · · Nut		
14	943342	1	Sealing ring		
15	3825525	2	Spacer		
16	969518	2	Screw		
17	946177	2	Screw		
18		2	Spacer		
19	873629	1	Cable harness		
20		1	Control panel		
				2625	