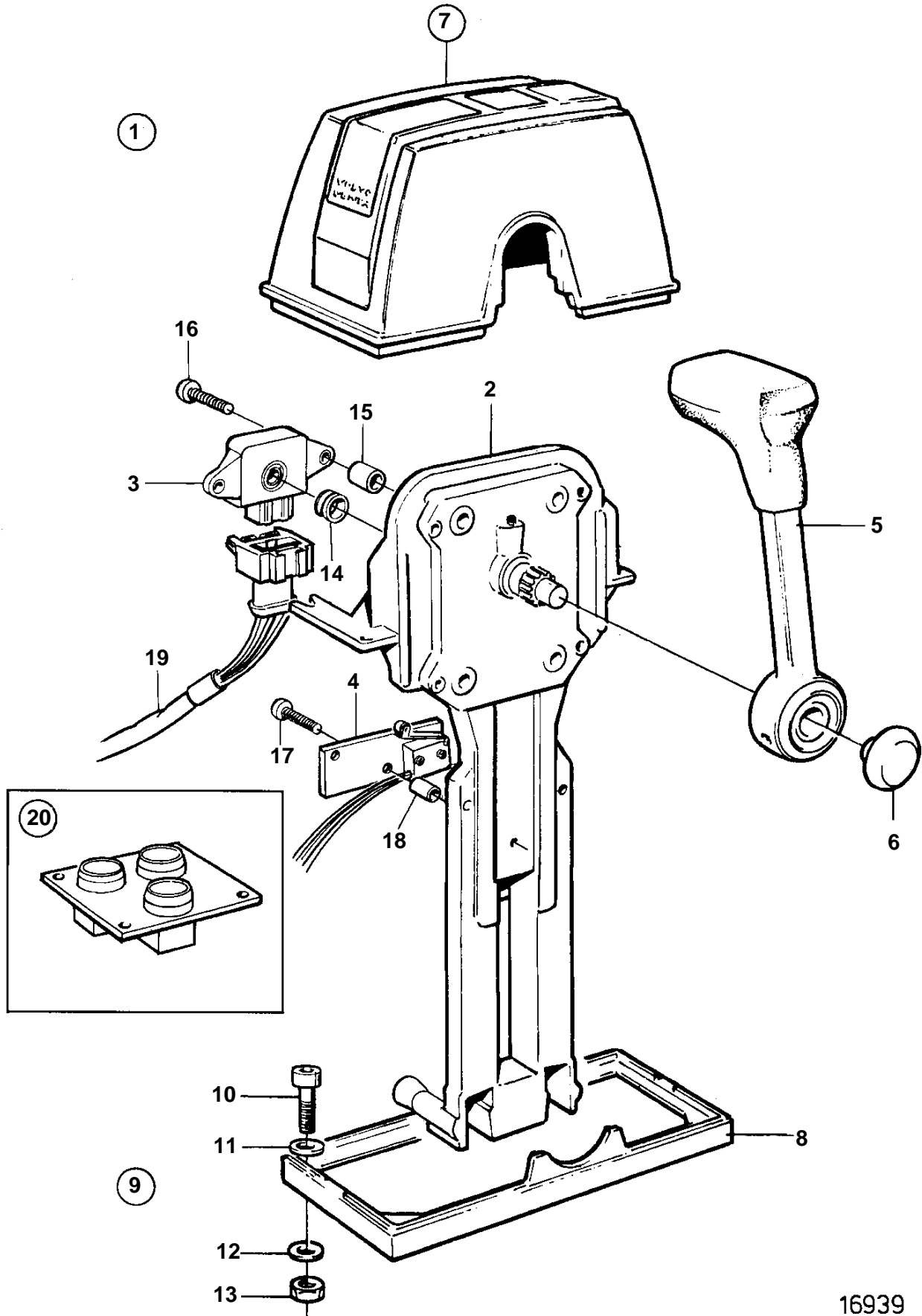


TAMD72P-A



TAMD72P-A

REF	PART NO.	QTY	DESCRIPTION	SEE SEC.	NOTES
1	1140634	1	Control		REPL BY 873863. Can be upgraded with kit 873867.
	873863	1	Control		
2	873862	1	· Control mechanism		(1146031)
3	1336385	1	· · Potentiometer		
4	873867	1	· · Microswitch		
5	852347	1	· Lever		
				266	
6	853004	1	· Push button		
7	1140637	1	· Cover		
8	839474	1	· · Plate		
9	852384	1	· Screw kit		
10	947671	4	· · Allen head screw		
11	940090	4	· · Washer		
12	960138	4	· · Washer		
13	955780	4	· · Nut		
14	943342	1	Sealing ring		
15	3825525	2	Spacer		
16	969518	2	Screw		
17	946177	2	Screw		
18		2	Spacer		
19	873629	1	Cable harness		
20		1	Control panel		
				2625	