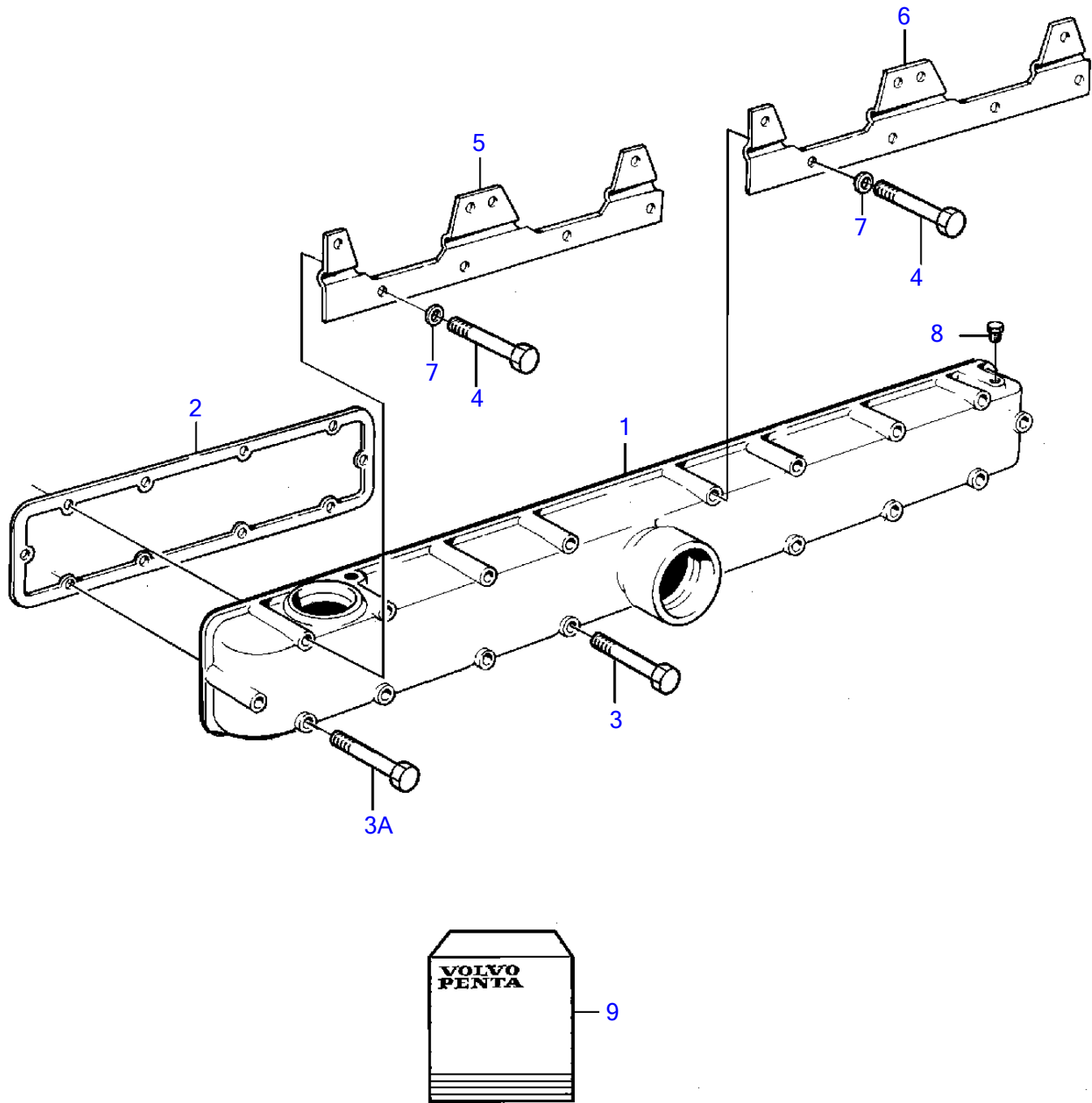


TAMD71B



17018

TAMD71B

REF	PART NO.	QTY	DESCRIPTION	NOTES
1	863410	1	Inlet pipe	
2	3829433	2	Intake gasket	Included in gasket kit.
3	940129	8	Hexagon screw	L=90mm
3A	955306	2	Hexagon screw	L=80mm
4	100223	8	Hexagon screw	L=95mm
5	848102	1	Attaching plate	
6	849435	1	Attaching plate	Alt
7	941907	18	Spring washer	
8	479979	1	Plug	Aux
9	876623	1	Intake gasket kit	See group 99