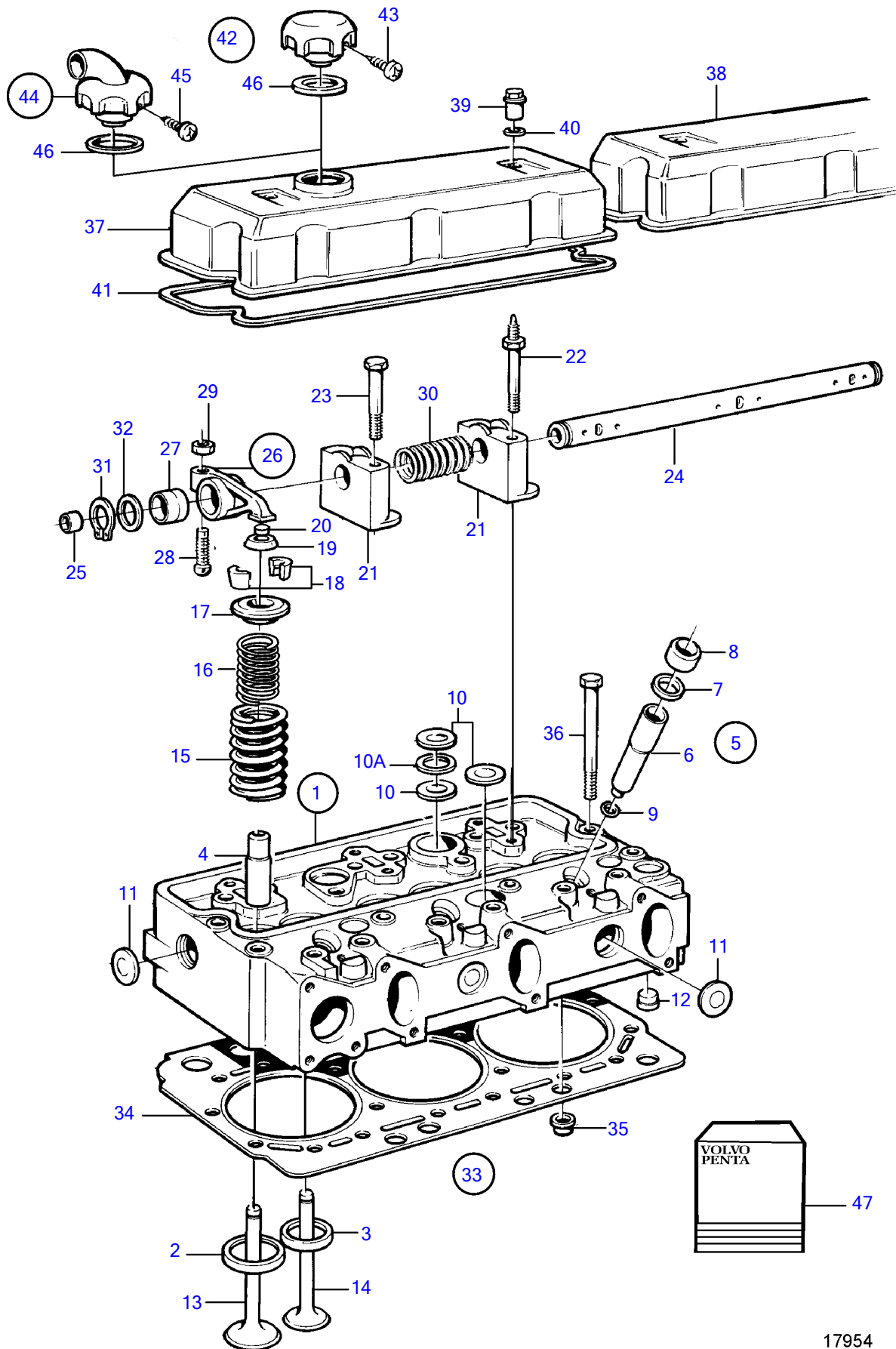


TAMD71B



17954

## TAMD71B

REF	PART NO.	QTY	DESCRIPTION	NOTES
1	3803311	2	Cylinder head	E.U=3803100, (471409)
2	421011	6	• Valve seat, intake	Std
	421316	6	• Valve seat, intake	O.S=0,20mm
3	466266	6	• Valve seat, exhaust	Std
	466307	6	• Valve seat, exhaust	O.S=0,20mm
4	466386	12	• Valve guide	
5	276130	6	• Copper sleeve kit, fuel injector	See group 99
6		6	• • Spray sleeve	
7	466405	6	• • Sealing ring	
8	466420	6	• • Ring	
9	466922	6	• • O-ring	
10	477026	14	• Expansion plug	D=26mm
10A	947626	4	• Gasket	
11	477024	8	• Expansion plug	D=35mm
12	465420	10	• Jet	
13	3825908	6	• Inlet valve, Nimonic	
14	842080	6	• Exhaust valve	
15	466384	12	Valve spring	
16	466383	12	Valve spring	
17	466382	12	Valve spring washer	
18	468305	24	Valve cotter	
19	469456	12	Protecting ring	Included in gasket kit.
20	478074	12	Valve cap	Included in gasket kit.
21	477384	6	Bearing bracket	(471511)
22	471512	4	Stud	
23	471513	8	Screw	
24	471518	2	Rocker arm shaft	
25	946778	4	• Cap plug	
26	422063	12	Rocker arm	
27	422066	12	• Bushing	
28	422993	12	• Ball stud	
29	940175	12	• Hexagon nut	
30	421173	4	Spring	
31	914459	4	Snap ring	
32	941488	4	Washer	
33	276816	2	Cylinder head gasket	See group 99
34		2	• Gasket	
35	465784	12	• Sealing ring	I.D.=26mm
	466421	16	• Sealing ring	I.D.=16mm
	422413	2	• Sealing ring	I.D.=11mm
36	471481	40	Screw	
37	471813	X	Valve cover, with oil filler cap	
38	471426	X	Valve cover	
39	465961	4	Cap nut	
40	471856	4	Sealing ring	Included in gasket kit.
41	471520	2	Gasket	Included in gasket kit.
42	421753	1	Oil filler cap	
43	955126	3	• Cross recessed screw	
44	866979	1	Oil filler cap	With connecting pipe for crankcase house ventilation.
45	955126	3	• Cross recessed screw	
46	1275379	1	Gasket	
47	876618	1	Gasket kit	See group 99