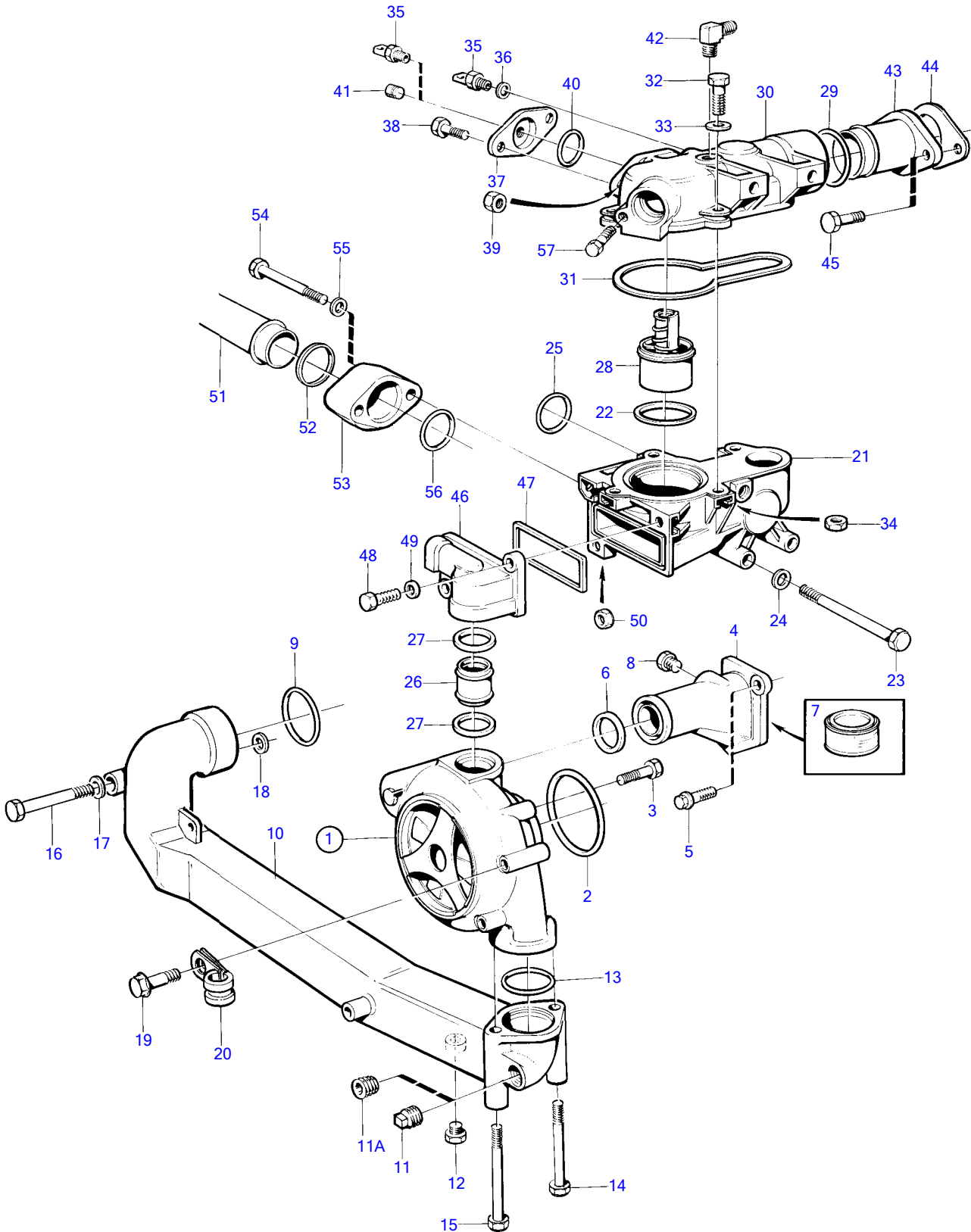


TAMD71B



16144

TAMD71B

REF	PART NO.	QTY	DESCRIPTION	SEE SEC.	NOTES
1	477397	1	Coolant pump		E.U=3803203, Replaced by 477770
			.	571	
	477770	1	Coolant pump		Replaced by 8192050
			.	1215	
	8192050	1	Coolant pump		Repl by 3183908
			.	1215	
	3183908	1	Coolant pump		
			.	1215	
2	925095	1	O-ring		
3	965190	4	Flange screw		
4	421756	1	Spacer		
5	946472	2	Flange screw		
6	471629	1	Sealing ring		
7	1161231	X	Sealant		304ml
8	479976	1	Plug		(946559)
9	864723	1	Sealing ring		
10	849528	1	Coolant pipe		Circulation pump-heat exchanger.
11	952358	1	Plug		Early type
11A	479977	1	Plug		Late type (952077)
12	861551	1	Plug		(192134)
13	925092	1	O-ring		
14	965218	1	Flange screw		
15	965183	1	Flange screw		
16	970989	1	Hexagon screw		
17	940280	1	Spring washer		
18	955898	1	Washer		Early type
	847237	1	Spacer sleeve		For classified engine TAMD71A or TAMD71B when oil filter bracket 848510 not been used., L=5mm
19	946440	1	Flange screw		
20	949747	1	Clamp		
21	876628	1	Thermostat housing		
22	1544710	1	. Sealing ring		
23	965189	3	Flange screw		
24	941908	3	Spring washer		
25	477059	1	O-ring		
26	471634	1	Tube		
27	469982	2	Sealing ring		
28	1661993	1	Thermostat		75°C
29	469982	1	Sealing ring		
30	477905	1	Cover		(420758)
31	471788	1	Sealing ring		
32	946470	4	Flange screw		
33	941907	4	Spring washer		
34	955782	4	Hexagon nut		
35		1	Ect sensor		See group 30
36	11998	1	Gasket		(947624)
37	471705	1	Flange		
38	945444	2	Flange screw		
39	955782	2	Hexagon nut		
40	949658	1	O-ring		
41	479977	1	Plug		
42		1	Elbow nipple		
43	848165	1	Pipe		
44	848163	1	Gasket		
45	946544	2	Flange screw		
46	471822	1	Housing		
47	471816	1	Sealing ring		
48	945444	2	Flange screw		
49	941907	2	Spring washer		

