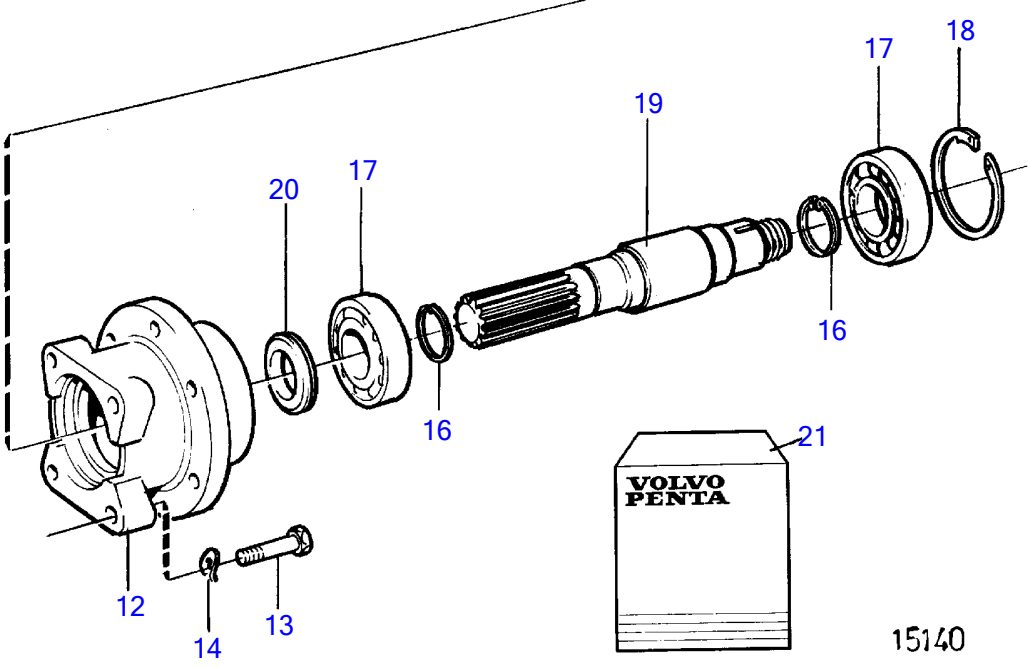
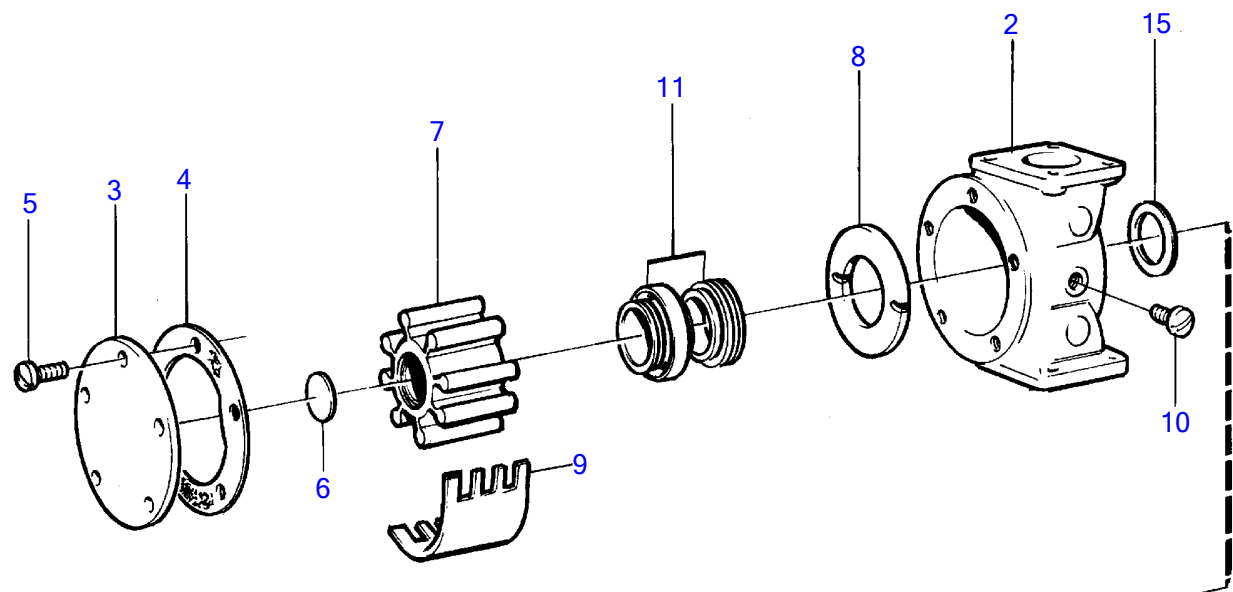


1



| REF | PART NO. | QTY | DESCRIPTION | NOTES |
|-----|----------|-----|-------------------|---------------------------|
| 1 | 846354 | 1 | Sea water pump | |
| 2 | | 1 | • Pump housing | |
| 3 | 847228 | 1 | • Cover | |
| 4 | 3829314 | 1 | • Gasket | Included in impeller kit. |
| 5 | 959931 | 5 | • Hexagon screw | Included in overhaul kit. |
| 6 | 812966 | 1 | • Spline seal | Included in impeller kit. |
| 7 | | 1 | • Impeller | Included in impeller kit. |
| 8 | 826230 | 1 | • Wear washer | Included in overhaul kit. |
| 9 | 827013 | 1 | • Cam | |
| 10 | 825730 | 1 | • Screw | |
| 11 | 3829315 | 1 | • Sealing ring | Included in overhaul kit. |
| 12 | 845969 | 1 | • Bearing housing | |
| 13 | 940135 | 4 | • Hexagon screw | |
| 14 | 941907 | 4 | • Spring washer | |
| 15 | 812964 | 1 | • Deflector ring | Included in overhaul kit. |
| 16 | 847230 | 2 | • Lock ring | Included in overhaul kit. |
| 17 | 11013 | 2 | • Ball bearing | Included in overhaul kit. |
| 18 | 825735 | 1 | • Lock ring | Included in overhaul kit. |
| 19 | 825978 | 1 | • Pump shaft | |
| 20 | 845795 | 1 | • Sealing ring | Included in overhaul kit. |
| 21 | 875736 | 1 | Impeller kit | See group 99 |
| | 875737 | 1 | Overhaul kit | See group 99 |