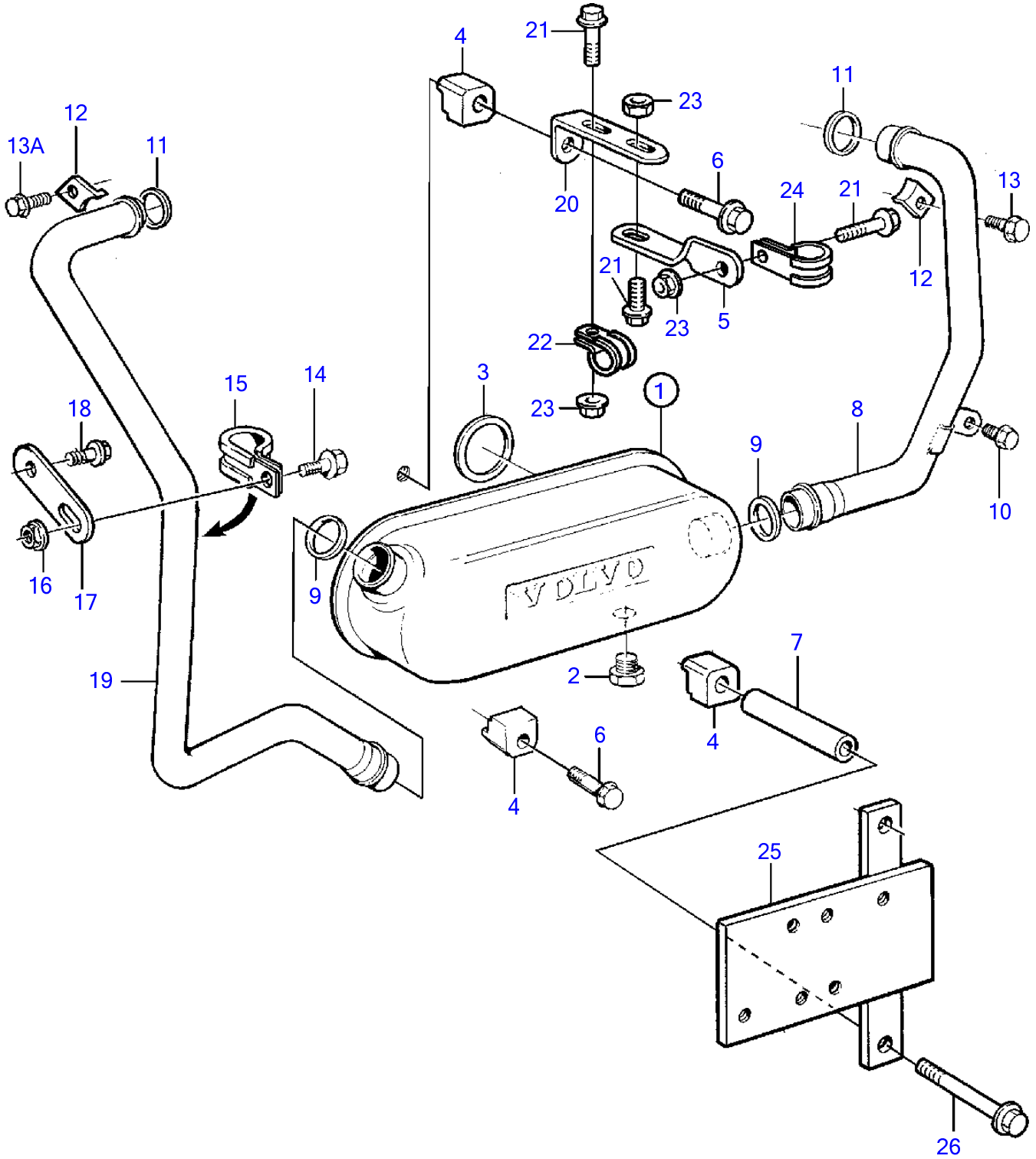


TAMD73WJ-A



17036

TAMD73WJ-A

REF	PART NO.	QTY	DESCRIPTION	NOTES
1	866539	1	Oil cooler	
2	981749	1	• Plug	
3	471467	2	Sealing ring	
4	471804	4	Retainer	
6	965186	2	Flange screw	M10x50mm
7	822779	2	Spacer sleeve	
8	864588	1	Water pipe	Cylinder block-oil cooler.
9	1543579	2	Sealing ring	
10	946441	1	Flange screw	M8x20mm
11	471637	2	Sealing ring	
12	421654	2	Clamp	
13	946440	1	Flange screw	L=16mm
13A	949846	1	Flange screw	Tapping screw.
14	946544	1	Flange screw	M6x16mm
15	952635	1	Clamp	
16	945407	1	Flange nut	M6
17	965535	1	Bracket	
18	946440	1	Flange screw	M8x16mm
19	864589	1	Water pipe	Thermostat housing-oil cooler.
25	3826159	1	Bracket, shut-off valve	
26	969313	2	Flange screw	

7740910-26-3533B

17036

Upd:2011-09-22

TAMD71B, TAMD73P-A, TAMD73WJ-A

VOLVO
PENTA