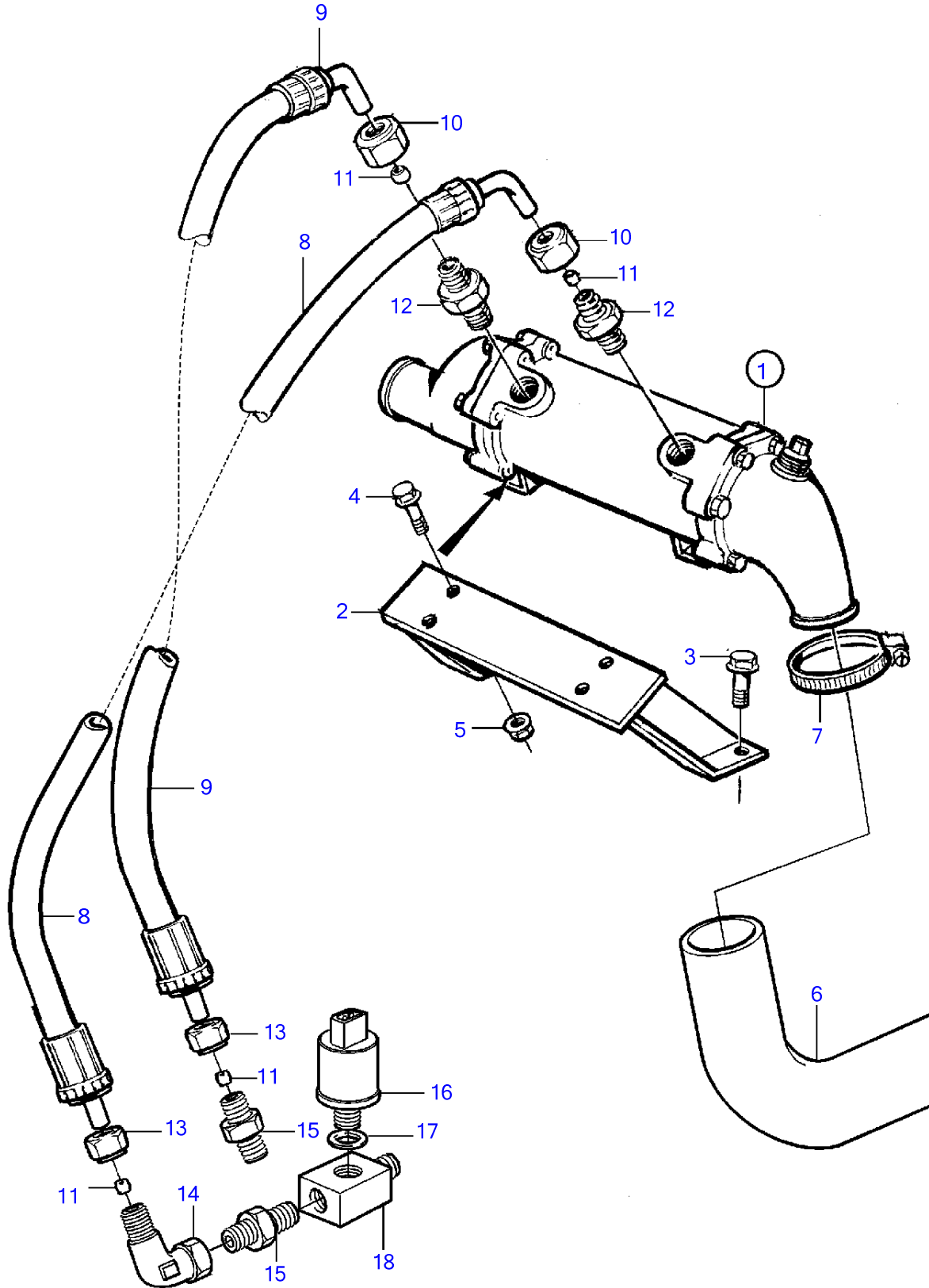


TAMD73P-A



TAMD73P-A

REF	PART NO.	QTY	DESCRIPTION	SEE SEC.	NOTES
1		1	Oil cooler		
			.		
			.	10141	
2	848098	1	Bracket		
3	965191	2	Flange screw		
4	955297	4	Hexagon screw		
5	948645	4	Flange lock nut		
6	866218	1	Hose		
7	961672	1	Hose clamp		
8	847165	1	Hose		L=580mm
9	837935	1	Hose		L=460mm
10	941331	2	Fitting nut		
11	980782	4	Ferrule		(956970)
12	968132	2	Nipple		
13	956984	2	Fitting nut		
14	964016	1	Elbow nipple		
15	941750	2	Nipple		
16	866839	1	Sensor		See group 30,0-30 bar
17		1	Gasket		See group 30
18	842425	1	Nipple		