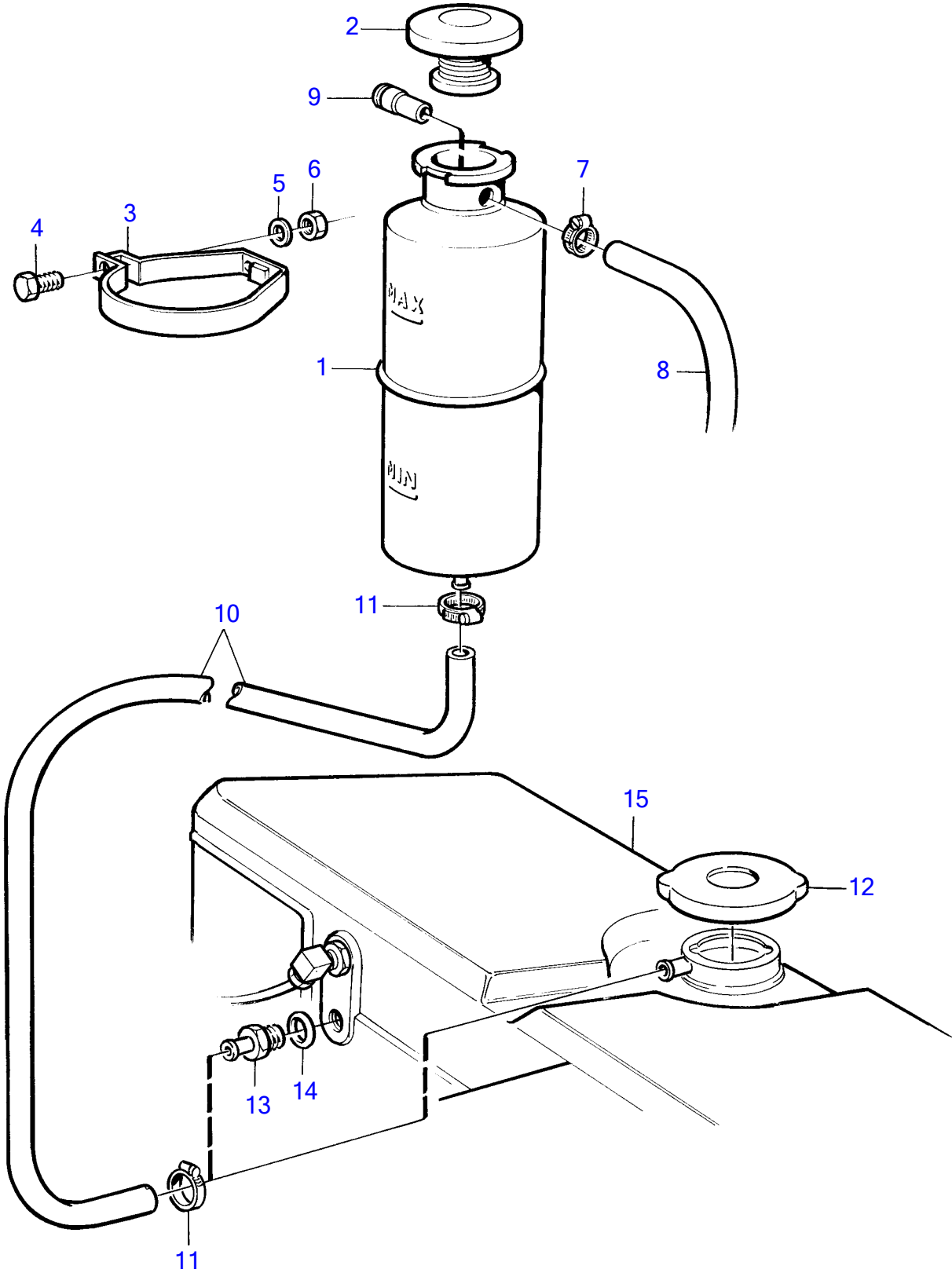


TAMD73P-A



15938

TAMD73P-A

REF	PART NO.	QTY	DESCRIPTION	NOTES
1	351579	1	Expansion tank	
2	87842	1	Pressure cap	
3	352120	2	Bracket	
4	940100	2	Hexagon screw	
5	941906	2	Spring washer	
6	955825	2	Hexagon nut	
7	961663	1	Hose clamp	
8	942700	X	Hose	L=1500mm
9	351580	1	Nipple	
10	941279	X	Hose	L=3200mm
11	961663	2	Hose clamp	
12	845587	1	Filler cap	
13	947502	1	Hose nipple	Early type
14	11994	1	Gasket	Early type
15		1	Expansion tank	See group 26