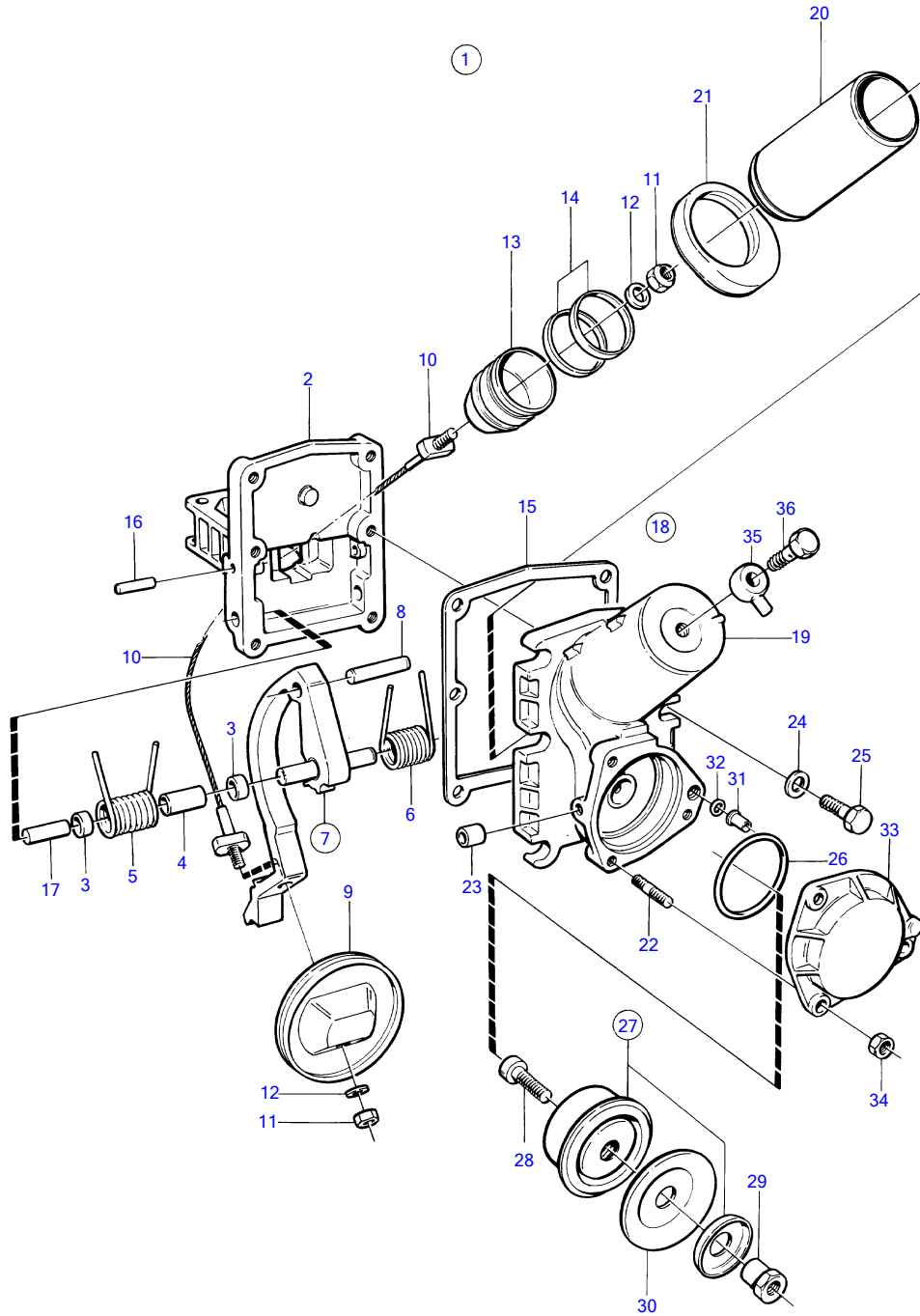


TAMD71B



9466

TAMD71B

| REF | PART NO. | QTY | DESCRIPTION | NOTES |
|-----|----------|-----|-----------------------|--------------------|
| 1 | 471700 | 1 | By-pass valve | Replaced by 863585 |
| 2 | | 1 | • Shutter housing | |
| 3 | | 1 | • Guide | |
| 4 | | 2 | • Bushing | |
| 5 | | 1 | • Spring | Replaced by 863586 |
| | 863586 | 1 | • Torsion spring | Left |
| 6 | | 1 | • Spring | Replaced by 865387 |
| | 863587 | 1 | • Torsion spring | Right |
| 7 | 863776 | 1 | • Arm | |
| 8 | 951979 | 1 | • • Spring pin | |
| 9 | 471676 | 1 | • Shutter | |
| 10 | 477312 | 1 | • Cable | |
| 11 | 946035 | 2 | • Lock nut | |
| 12 | 955892 | 2 | • Washer | |
| 13 | | 1 | • Piston | |
| 14 | 471681 | 2 | • Support ring | |
| 15 | 471684 | 1 | • Gasket | |
| 16 | 950545 | 2 | • Pin | |
| 17 | 471668 | 2 | • Pin | |
| 18 | | 1 | • Housing | |
| 19 | | 1 | • • Cylinder housing | |
| 20 | | 1 | • • Cylinder liner | |
| 21 | | 1 | • • Retainer | |
| 22 | | 3 | • • Stud | |
| 23 | | 1 | • • Tube | |
| 24 | 955894 | 6 | • Washer | |
| 25 | 940142 | 6 | • Hexagon screw | |
| 26 | 925069 | 1 | • O-ring | |
| 27 | 471692 | 1 | • Valve | |
| 28 | 959187 | 1 | • • Hex. socket screw | |
| 29 | 471698 | 1 | • • Nut | |
| 30 | 241775 | 1 | • • Diaphragm | |
| 31 | (471687) | 1 | • Nozzle | Obsolete part |
| 32 | 949187 | 1 | • O-ring | |
| 33 | | 1 | • Cover | |
| 34 | 955781 | 3 | • Hexagon nut | |
| 35 | 74039 | 1 | Banjo nipple | |
| 36 | 969299 | 1 | Hollow screw | |