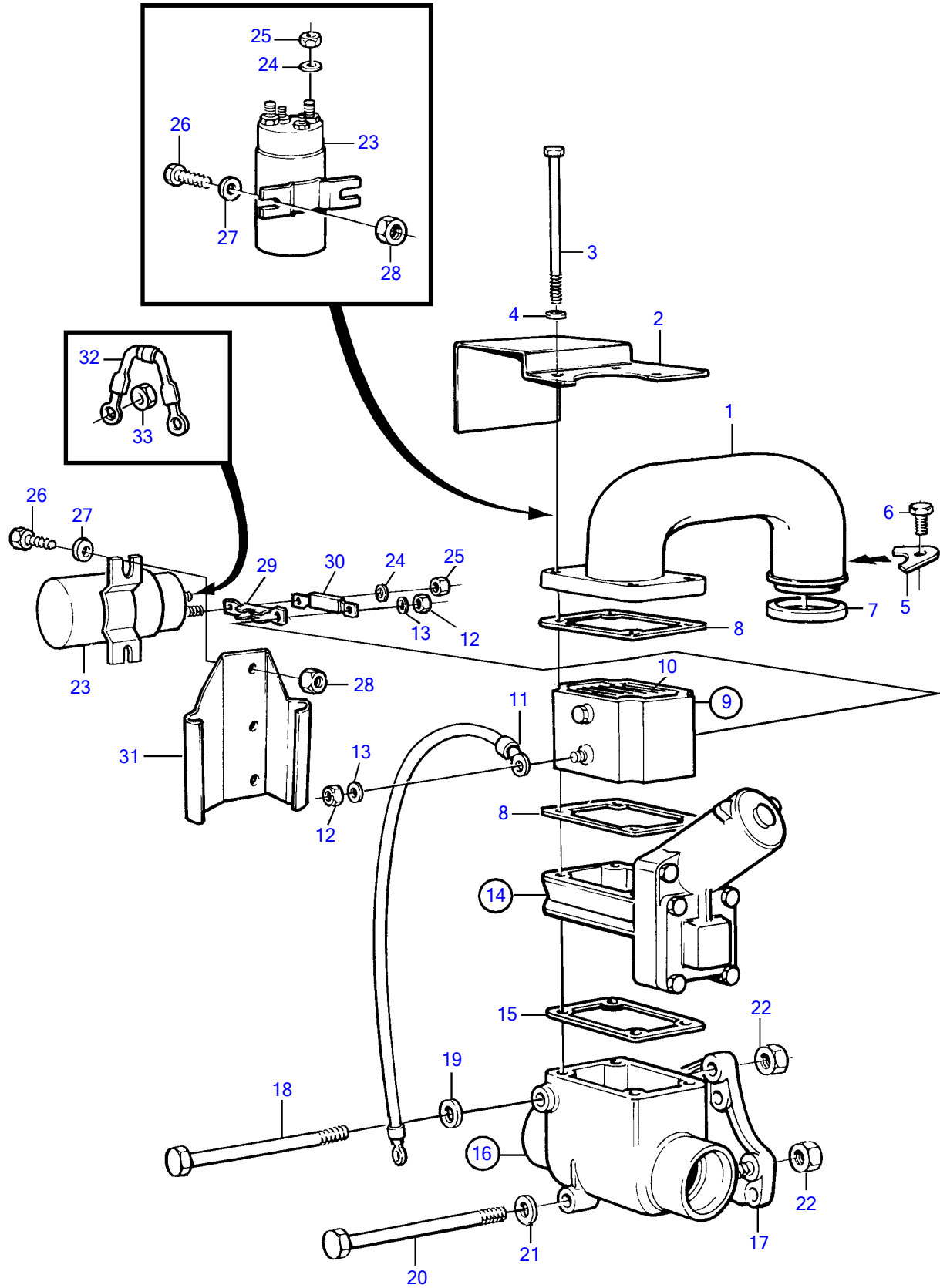


TAMD71B



## TAMD71B

| REF | PART NO. | QTY | DESCRIPTION       | SEE SEC. | NOTES                           |
|-----|----------|-----|-------------------|----------|---------------------------------|
| 1   | 847823   | 1   | Connection pipe   |          | Starting heater-inlet manifold. |
| 2   | 863375   | 1   | Protecting plate  |          |                                 |
| 3   | 955310   | 4   | Hexagon screw     |          | Late type, L=130mm              |
|     | 955311   | 3   | Hexagon screw     |          | Early type, L=140mm             |
|     | 955310   | 1   | Hexagon screw     |          | Early type, L=130mm             |
| 4   | 941907   | 4   | Spring washer     |          |                                 |
|     | 976944   | 4   | Washer            |          | Early type, (960141)            |
| 5   | 848287   | 1   | Retainer          |          |                                 |
| 6   | 946544   | 1   | Flange screw      |          |                                 |
| 7   | 925071   | 1   | O-ring            |          |                                 |
| 8   | 424619   | 2   | Gasket            |          |                                 |
| 9   | 863377   | 1   | Heater            |          | 12V                             |
|     | 863378   | 1   | Starter element   |          | 24V                             |
| 10  |          | 1   | • Starter element |          | 12V                             |
|     |          | 1   | • Starter element |          | 24V                             |
| 11  |          | 1   | • Cable           |          |                                 |
| 12  | 17624    | 2   | • Hexagon nut     |          |                                 |
| 13  | 955894   | 2   | • Washer          |          |                                 |
| 14  | 863585   | 1   | Valve             |          |                                 |
|     |          |     | •                 |          |                                 |
|     |          |     | •                 | 1176     |                                 |
| 15  | 471682   | 1   | Gasket            |          |                                 |
| 16  | 848808   | 1   | Shutter housing   |          |                                 |
| 17  | 847825   | 1   | Bracket           |          |                                 |
| 18  | 970971   | 2   | Hexagon screw     |          | L=35mm                          |
| 19  | 955897   | 2   | Washer            |          |                                 |
| 20  | 969225   | 2   | Flange screw      |          | (955309)                        |
| 21  | 941907   | 2   | Spring washer     |          |                                 |
| 22  | 946036   | 2   | Lock nut          |          |                                 |
| 23  | 872242   | 1   | Relay             |          | 12V, (1577375)                  |
|     | 873962   | 1   | Relay             |          | 24V                             |
| 24  | 941907   | 2   | Spring washer     |          |                                 |
| 25  | 955782   | 2   | Hexagon nut       |          |                                 |
| 26  | 955244   | 2   | Hexagon screw     |          |                                 |
| 27  | 940090   | 2   | Washer            |          |                                 |
| 28  | 946577   | 2   | Lock nut          |          |                                 |
| 29  | 471477   | 1   | Fuse              |          |                                 |
| 30  | 421692   | 1   | Support           |          |                                 |
| 31  | 866463   | 1   | Attaching plate   |          | (471811)                        |
| 32  | 873789   | 1   | Diode             |          |                                 |
| 33  | 965483   | 2   | Flange nut        |          |                                 |