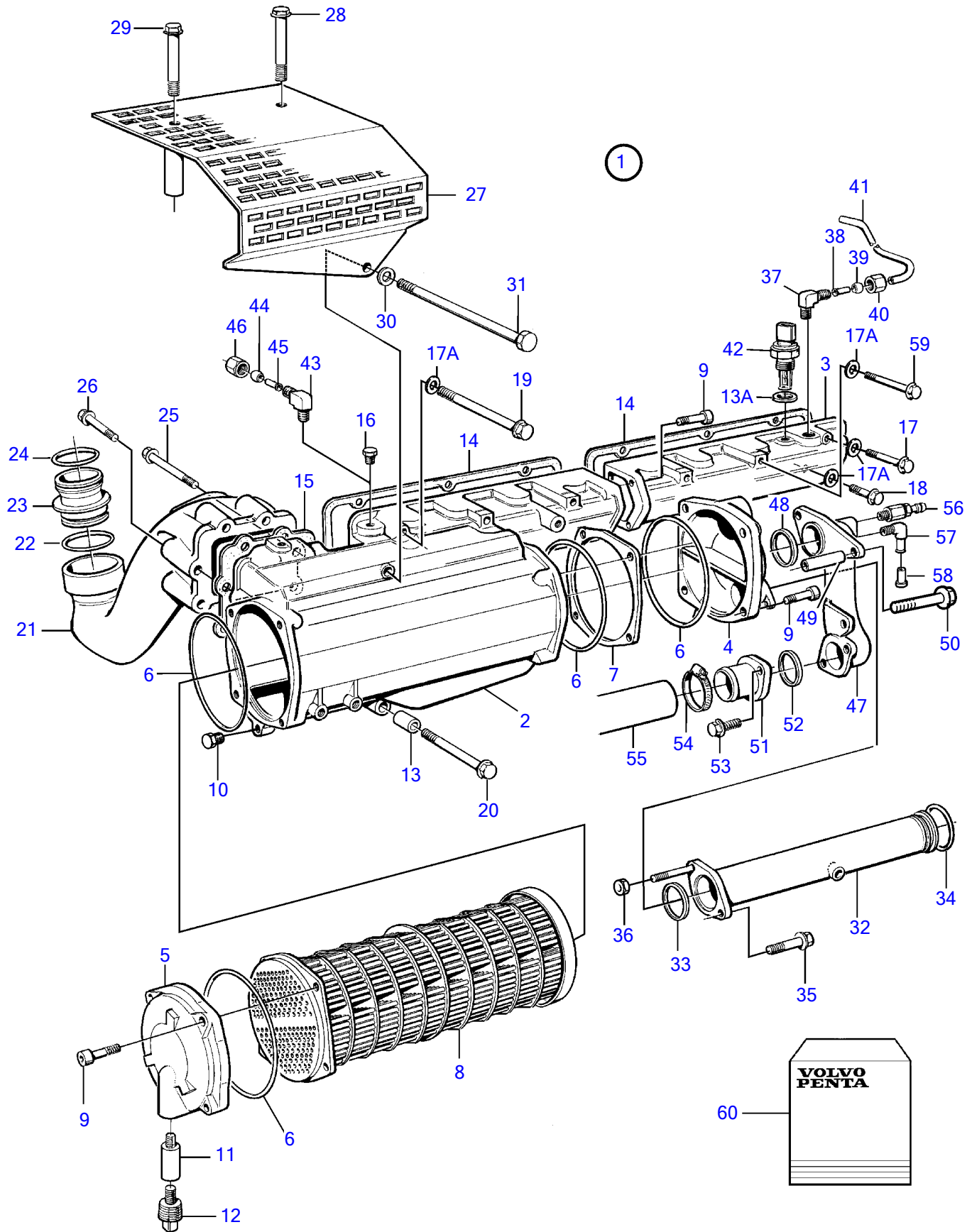


TAMD73P-A, TAMD73WJ-A



## TAMD73P-A, TAMD73WJ-A

REF	PART NO.	QTY	DESCRIPTION	SEE SEC.	NOTES
1	3826340	1	Intercooler		
2	3826777	1	• Housing		
3	3826778	1	• Tube		
4	3826779	1	• End plate		
5	3826780	1	• End plate		
6	3826783	4	• O-ring		
7	3826782	1	• Spacer		
8	3826781	1	• Insert		
9	959224	10	• Hex. socket screw		
10	866760	1	• Plug		
11	838929	1	• Anode		
12	838928	1	• Plug		
13		1	• Sleeve		
13A	947624	1	• Gasket		
14	3829433	2	Intake gasket		Included in gasket kit.
15	3826293	1	Gasket		Included in gasket kit.
16	981749	1	Plug		
17	965217	2	Flange screw		
17A	191172	3	Washer		
18	946671	9	Flange screw		
19	965183	1	Flange screw		
20	973098	1	Flange screw		
21	3826292	1	Tube		
22	864722	1	Sealing ring		
23	469510	1	Intermediate pipe		
24	866148	1	Sealing ring		
25	965182	2	Flange screw		L=80mm
26	965216	4	Flange screw		L=55mm
27	3828601	1	Protecting cap		
28	968842	1	Flange screw		L=110mm
29	965183	1	Flange screw		L=90mm
30	191172	1	Washer		
31	968303	1	Hexagon screw		L=190mm
32	3826297	1	Tube	3575	
33	864491	1	Gasket		
34	863231	1	Sealing ring		
35	945444	1	Flange screw		
36	945408	1	Flange nut		
37	954385	1	Elbow nipple		
38	944717	1	Support sleeve		
39	954364	1	Sleeve		
40	954356	2	Fitting nut		
41	945460	X	Tube		EDC: L=600mm, WJ/P-A: L=670mm
42		1	Ect sensor	4482	
43	954385	1	Elbow nipple		Alt
44	954364	1	Sleeve		Alt
45	944717	1	Support sleeve		Alt
46	954356	1	Fitting nut		Alt
47	3826786	1	Tube		For engines in with keel cooling.
48	866690	1	O-ring		For engines in with keel cooling.
49	842351	3	Spacer sleeve		For engines in with keel cooling.
50	965183	3	Flange screw		For engines in with keel cooling.
51	3826300	1	Tube		For engines in with keel cooling.
52	864491	1	Gasket		For engines in with keel cooling.
53	945444	2	Flange screw		For engines in with keel cooling.
54	961671	1	Hose clamp		For engines in with keel cooling.
55	3826393	1	Hose		For engines in with keel cooling.
56	949918	1	Shut-off cock		For engines in with keel cooling.
57	479953	1	Elbow nipple		For engines in with keel cooling.
58	865754	1	Orifice sleeve		For engines in with keel cooling.
59	965183	5	Flange screw		For engines in with keel cooling.
60	877063	1	Intake gasket kit		