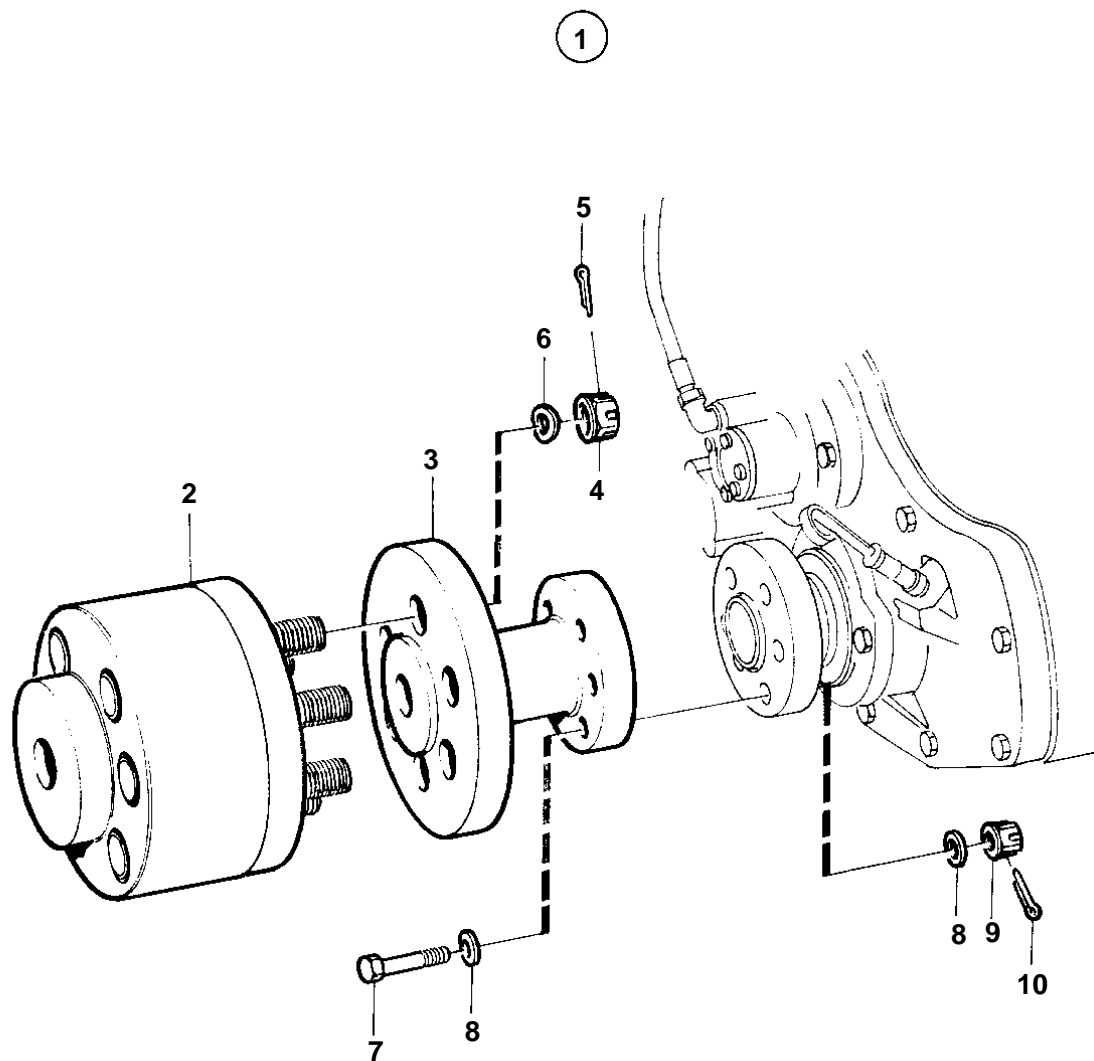


TAMD71A, TAMD72A



8759

TAMD71A, TAMD72A

REF	PART NO.	QTY	DESCRIPTION	NOTES
1		1	Elastic clutch	COMPL. For reverse gear twin disc MG506, MG507 and MPM/IRM 301A.
2	848727	1	· Clutch	
3		1	· Spacer flange	
4	955886	6	· Nut	
5	907861	6	· Cotter pin	
6	941912	6	· Spring washer	
7	955738	6	· Screw	
8	955900	12	· Washer	
9	955886	6	· Nut	
10	907861	6	· Cotter pin	