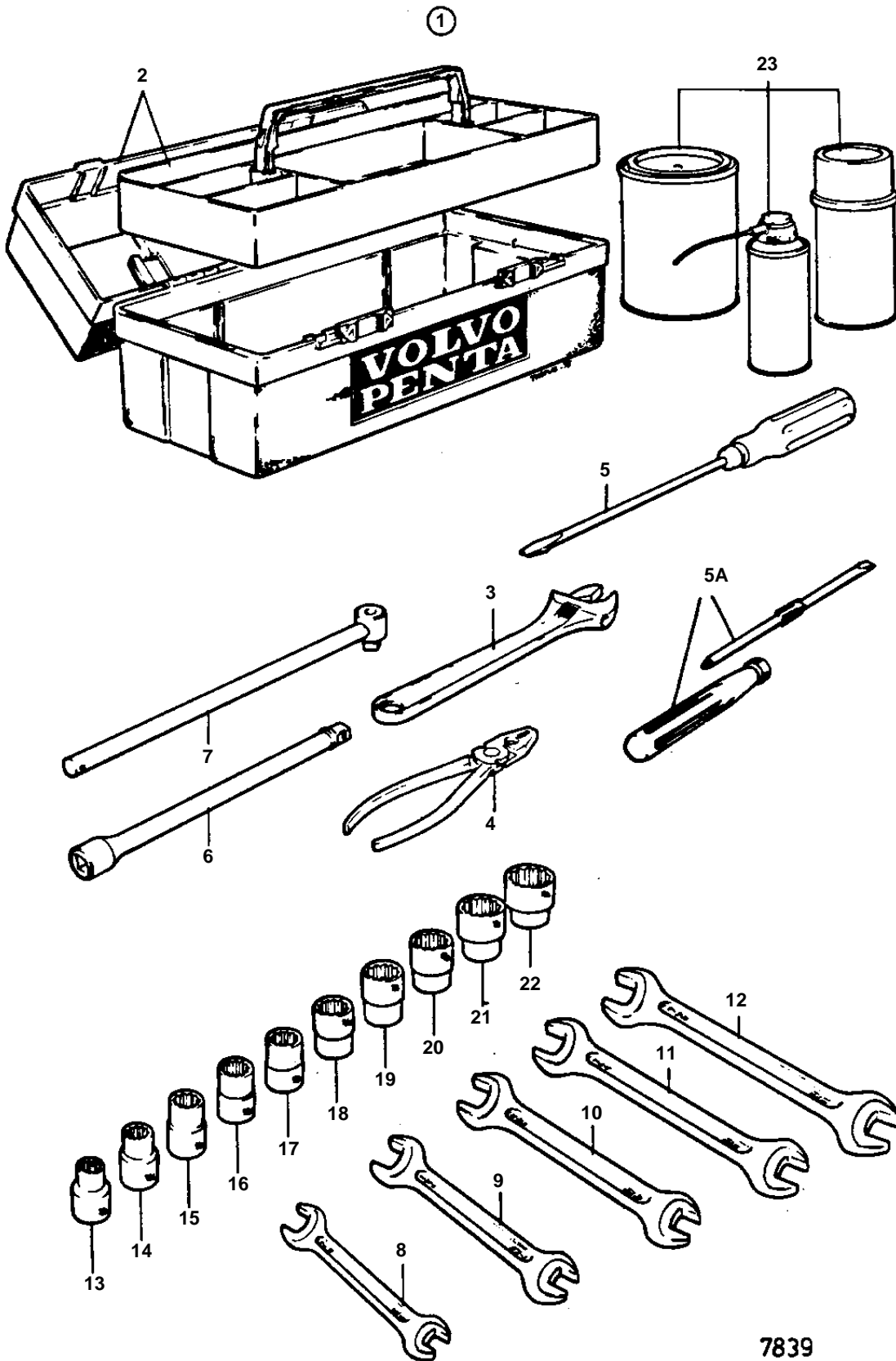


COMMON



COMMON

REF	PART NO.	QTY	DESCRIPTION	SEE SEC.	NOTES
1	849167	1	Tool kit		
2	842021	1	• Tool box		
3		1	• Adjustable wrench		
4		1	• Pliers		
5	804771	1	• Screwdriver		
5A		1	• Screwdriver		
6		1	• Extension		
7		1	• Jointed handle		
8		1	• Open-end wrench		10-11
9		1	• Open-end wrench		12-13
10		1	• Open-end wrench		14-15
11		1	• Open-end wrench		17-19
12		1	• Open-end wrench		22-24
13		1	• Sleeve		10
14		1	• Sleeve		11
15		1	• Sleeve		12
16		1	• Sleeve		13
17		1	• Sleeve		14
18		1	• Sleeve		15
19		1	• Sleeve		17
20		1	• Sleeve		19
21		1	• Sleeve		22
22		1	• Sleeve		30
23		X	Chemicals	1878	