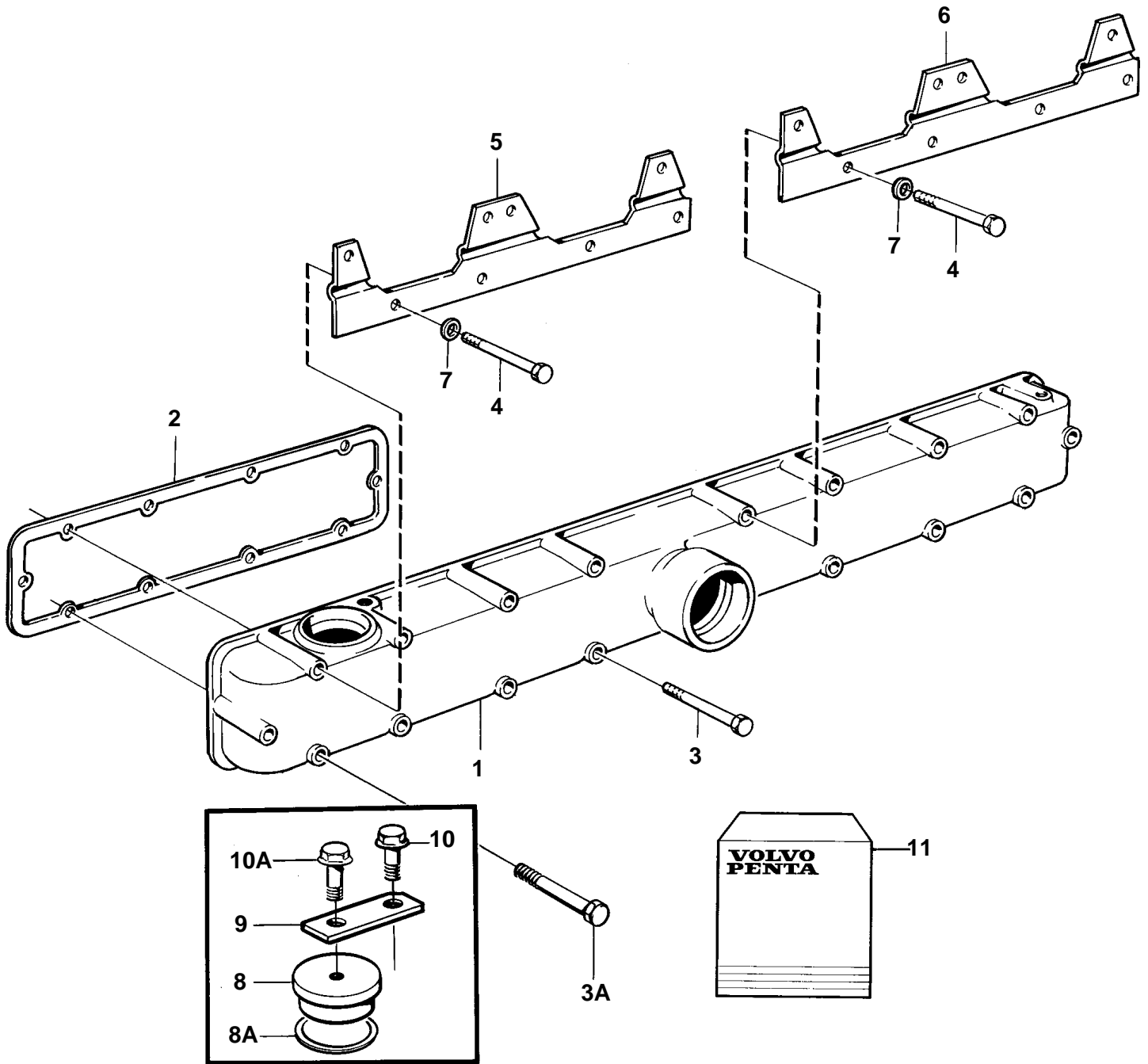


TAMD72A



16094

TAMD72A

REF	PART NO.	QTY	DESCRIPTION	NOTES
1	863410	1	Inlet pipe	(847640)
2	424612	2	Gasket	Included in gasket kit.
3	940129	10	Screw	L=90mm
4	100223	8	Screw	L=95mm
5	848102	1	Attaching plate	
6	849435	1	Attaching plate	
7	941907	18	Spring washer	
8	864867	1	Plug	
9	865659	1	Anchorage	
10	965175	1	Screw	
10A	946544	1	Flange screw	
11	876623	1	Gasket kit	SEE GROUP 99