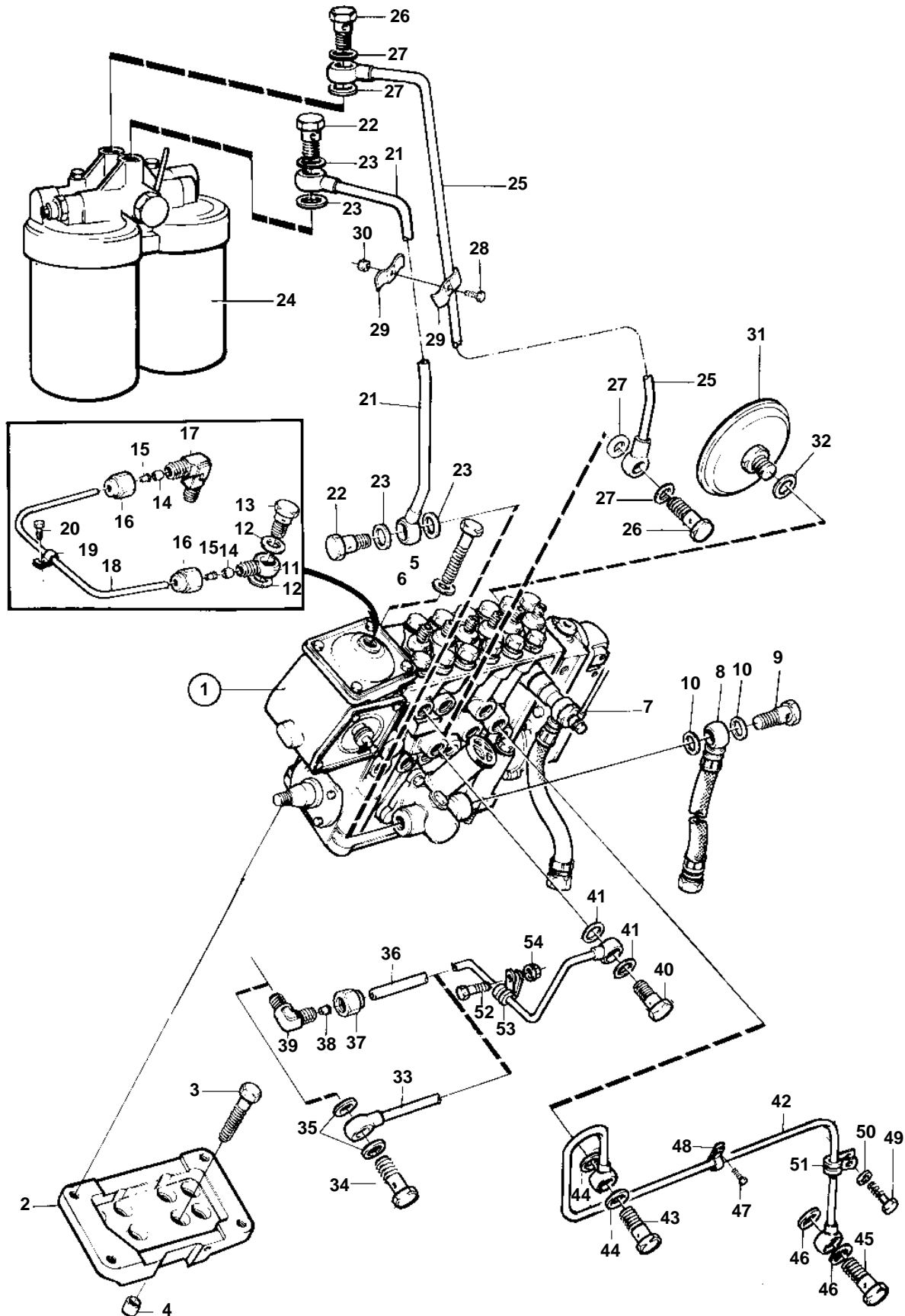


TAMD71A



15897

TAMD71A

REF	PART NO.	QTY	DESCRIPTION	SEE SEC.	NOTES
1	849102	1	Injection pump		
	3803764	1	Injection pump, exch		Exchange unit
				1293	
2	477773	1	Shelf		(471610)
3	965185	4	Flange screw		L=40mm
4	417588	2	Guide sleeve		
5	965189	4	Flange screw		L=90mm
6	190509	4	Washer		
7		1	Leak-off linefuel hose connecting	1301	
8		X	Fuel hose		Classifiable fuel line is not being offered by Volvo Penta
9	25167	1	Hollow screw		
10	969011	2	Gasket		
11	945417	1	Nipple		
12	11994	2	Gasket		
13	969299	1	Hollow screw		
14	954364	2	Fitting		
15	944717	2	Sleeve		
16	954356	2	Cap nut		
17	954385	1	Elbow nipple		
18	945460	1	Plastic pipe		L=760mm
19	940374	1	Clamp		
20	946440	1	Flange screw		
21	864496	1	Fuel pipe	SO	
22	25167	2	Hollow screw		
23	969011	4	Gasket		
24		1	Fuel filterwith install. comps.	2389	
25	864495	1	Fuel pipe		
26	25167	2	Hollow screw		
27	969011	4	Gasket		
28	956095	1	Screw		
29	404279	2	Clamp		
30	955781	1	Nut		
31	477173	1	Pressure equalizer		
32	969011	1	Gasket		
33	477986	1	Oil feed pipe		SNXXXXXXXXXX/64647-(477908)
34	969299	1	Hollow screw		SNXXXXXXXXXX/64647-
35	11994	2	Gasket		SNXXXXXXXXXX/64647-
36	477594	1	Oil feed pipe		SN-XXXXXXXXXX/64646
37	954356	1	Cap nut		SN-XXXXXXXXXX/64646
38	954364	1	Fitting		SN-XXXXXXXXXX/64646
39	479958	1	Elbow nipple		SN-XXXXXXXXXX/64646
40	48634	1	Hollow screw		
41	947281	2	Gasket		
42	471609	1	Tube		
43	25167	1	Hollow screw		
44	969011	2	Gasket		
45	25167	1	Hollow screw		
46	969011	2	Gasket		
47	944926	1	Flange screw		
48	18387	1	Clamp		
49	946471	1	Screw		
50	190509	1	Washer		
51	942542	1	Clamp		
52	946544	1	Flange screw		
53	952633	1	Clamp		
54	945407	1	Flange nut		