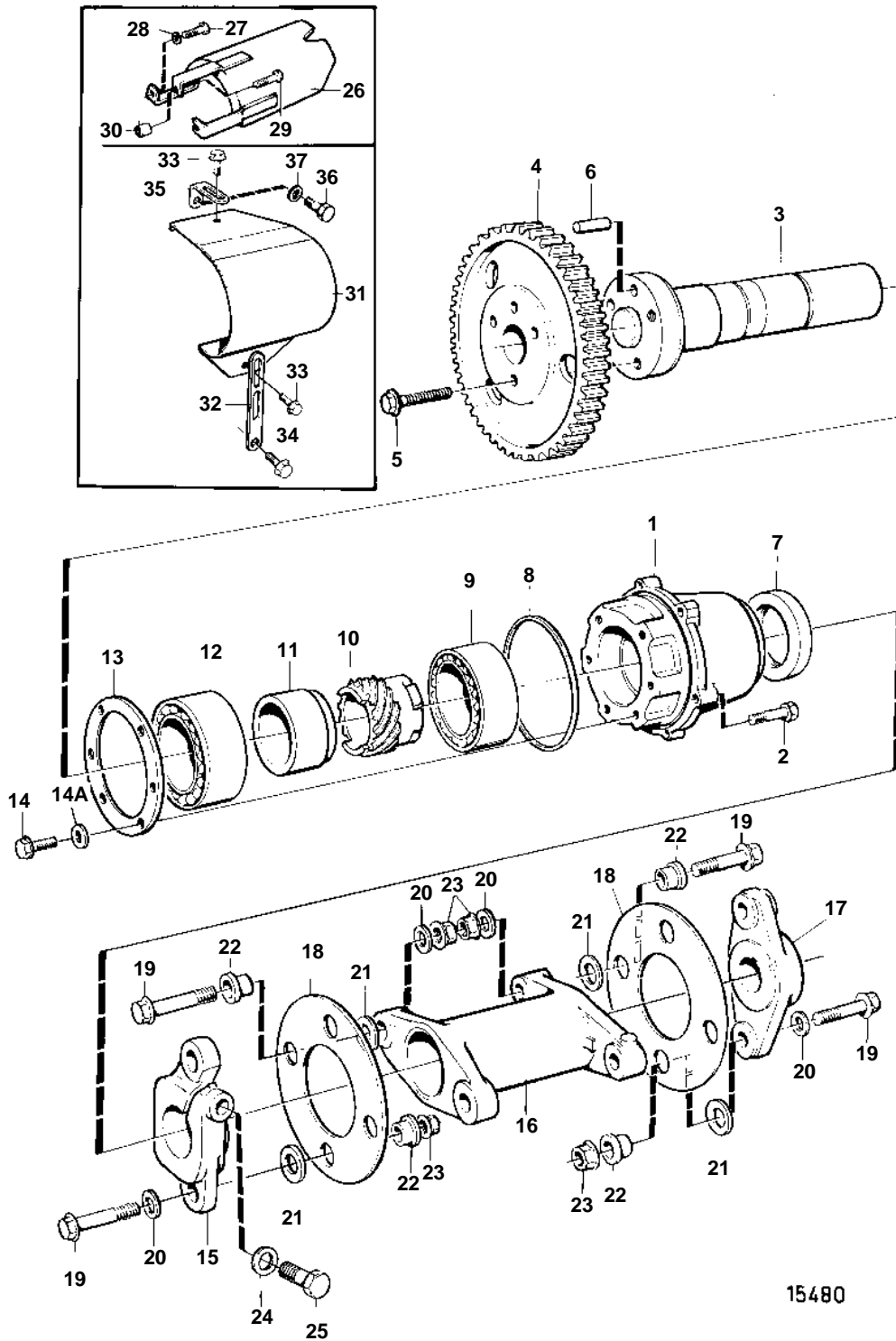


TAMD71A



## TAMD71A

REF	PART NO.	QTY	DESCRIPTION	SEE SEC.	NOTES
1	471556	1	Bearing housing		Replaced by 1 ea bearing housing 420903 and 5 ea screw 948336.
	420903	1	Bearing housing		
2	945444	5	Flange screw		L =25mm, EARLY TYPE
	948336	5	Lock screw		L=30mm,LATER PROD(946671)
3	471557	1	Axle shaft		
4	478297	1	Gear		NITRO
			Bulletin 45-01	45-01-EN	Timing Gears, 71, 100, 121
5	471558	3	Screw		
6	950586	1	Pin		
7	424580	1	Sealing ring		
8	423123	1	Sealing ring		
9	11013	1	Ball bearing		
10	469364	1	Gear		
11	469363	1	Stop ring		
12	181577	1	Ball bearing		
13	423074	1	Washer		
14	955274	6	Screw		
14A	955892	6	Washer		
15	471383	1	Companion flange		
16	471368	1	Intermediate section		
17	471312	1	Companion flange		
18	479459	6	Dog clutch disc		
19	946470	8	Flange screw		
20	966674	8	Washer		(960141)
21	479460	8	Washer		
22	478896	8	Sleeve		
23	945408	8	Flange nut		(968862)
24	960148	1	Washer		
25	970878	1	Screw		
26	4772263	1	Pump coupling guard		EARLY TYPE
	865291	1	Pump coupling guard		AUX, SN1101039729/XXXXX-
27	945444	2	Flange screw		EARLY TYPE
	945444	3	Flange screw		LATE TYPE
	946470	3	Flange screw		AUX, SN1101039729/XXXXX-
28	966674	3	Washer		(960141)
29	965216	1	Screw		EARLY TYPE, L=55mm
30	848684	1	Sleeve		EARLY TYPE
31	865745	1	Protecting plate		
32	965545	1	Bracket		(965542)
33	965175	2	Screw		
34		1	Screwengine bracket		SEE GROUP 21
35	965552	1	Bracket		
36	946440	1	Flange screw		(946173)
37	941907	1	Spring washer		EARLY TYPE