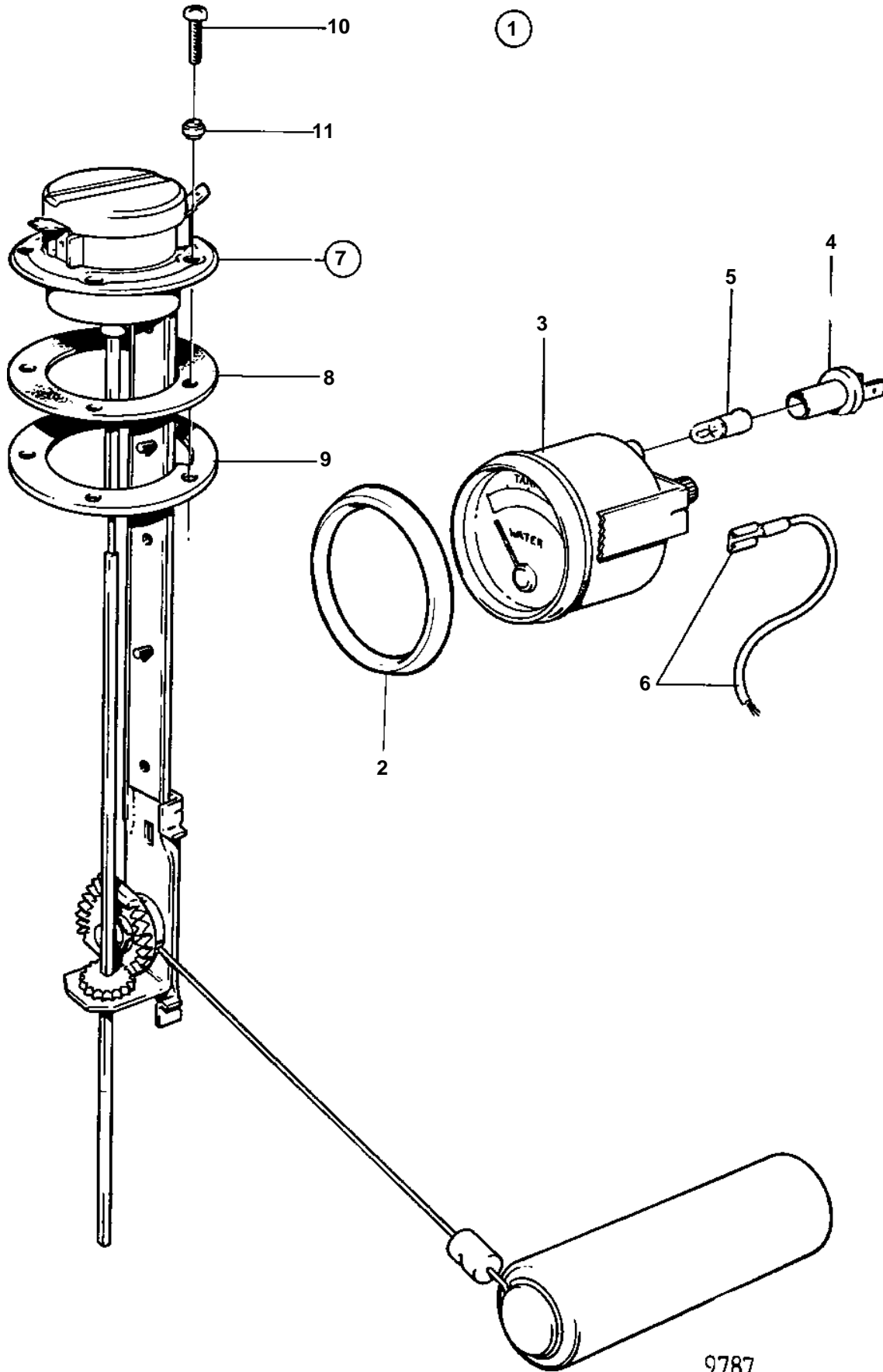


COMMON



COMMON

| REF | PART NO. | QTY | DESCRIPTION | SEE SEC. | NOTES |
|-----|----------|-----|------------------------|----------|--------|
| 1 | | 1 | Tank gauge kit | | |
| 2 | 858643 | 1 | · Front ring | | |
| 3 | 863943 | 1 | · Tank gauge | | |
| 4 | 808175 | 1 | · · Bulb socket | | |
| 5 | 182059 | 1 | · · Bulb | | |
| 6 | | X | · Cables and terminals | 124 | |
| 7 | 834389 | 1 | · Sender | | |
| 8 | 89865 | 1 | · · Gasket | | |
| 9 | 834480 | 1 | · · Flange | | |
| 10 | 956078 | 4 | · · Screw | | L=16mm |
| | 956081 | 1 | · · Screw | | L=25mm |
| 11 | 834481 | 5 | · · Gasket | | |