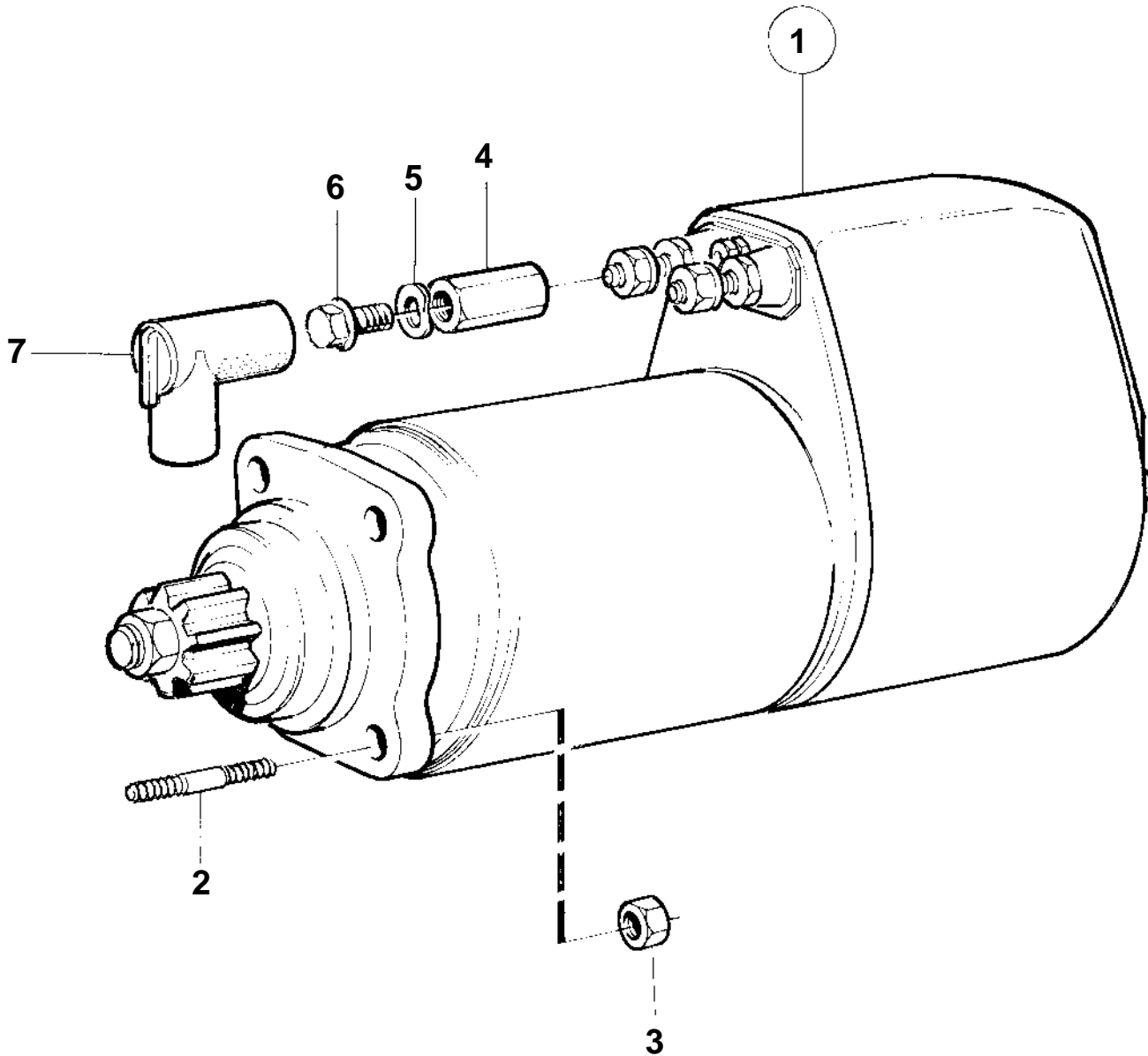


TAMD71A, TAMD72A



TAMD71A, TAMD72A

REF	PART NO.	QTY	DESCRIPTION	SEE SEC.	NOTES
1	847306	1	Starter motor		12V, 60A
				440	
	847307	1	Starter motor		24V, 40A
				727	
2	953069	3	Stud		
3	971095	3	Nut		
4	857180	1	Nut		M10x32mm
5	941908	1	Spring washer		
6	946670	1	Flange screw		M10x14mm
7	855798	1	Protecting sleeve		