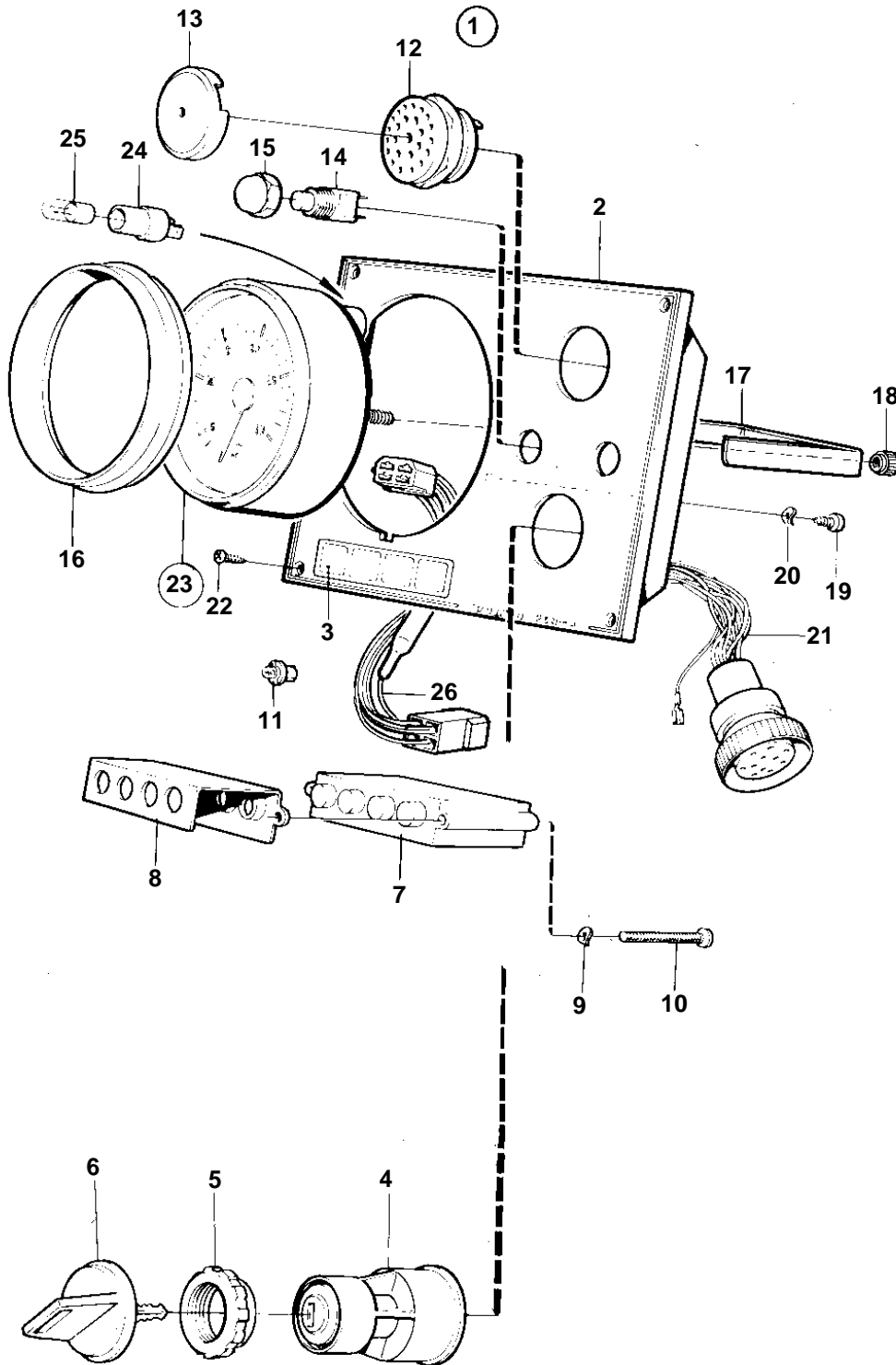


COMMON



16150

COMMON

| REF | PART NO. | QTY | DESCRIPTION | SEE SEC. | NOTES |
|-----|----------|-----|---------------------|----------|-------------------------------|
| 1 | 873592 | 1 | Instrument panel | | |
| 2 | 860183 | 1 | • Instrument panel | | |
| 3 | 858645 | 1 | • Symbol strip | | |
| 4 | 864277 | 1 | • Starter switch | | |
| 5 | 859953 | 2 | • • Key | SO | |
| | | | • • Bulletin 49-30 | 49-30-EN | Key P/N 859953 |
| 6 | 859955 | 1 | • • Plastic nut | | State key code when ordering. |
| 7 | 873209 | 1 | • Electronic unit | | |
| 8 | 828784 | 1 | • Reflector | | |
| 9 | 941904 | 2 | • Spring washer | | |
| 10 | 941615 | 2 | • Screw | | |
| 11 | 828818 | 4 | • Bulb | | 24V |
| 12 | 828587 | 1 | • Buzzer | | |
| 13 | 858795 | 1 | • Protecting casing | | |
| 14 | 828584 | 1 | • Switch | | ALARM TEST |
| | 828585 | 1 | • Switch | | INSTR. LIGHT |
| 15 | 828586 | 2 | • Nut | | |
| 16 | 873517 | 1 | • Front ring | | |
| 17 | 873208 | 1 | • Retainer | | |
| 18 | | 2 | • • Nut | | |
| 19 | 949947 | 1 | • Screw | | |
| 20 | 941904 | 1 | • Spring washer | | |
| 21 | 828648 | 1 | • Cable kit | | |
| 22 | 828647 | 4 | • Screw | | |
| 23 | 876750 | 1 | Rev counter kit | | 3400 RPM,12/24V (873587) |
| 24 | 863945 | 1 | • Bulb socket | | |
| 25 | 863946 | 1 | • Bulb | | 12V, 1,2W |
| | 863947 | 1 | • Bulb | | 24V, 1,2W |
| 26 | 873695 | 1 | • Diode cable | | |