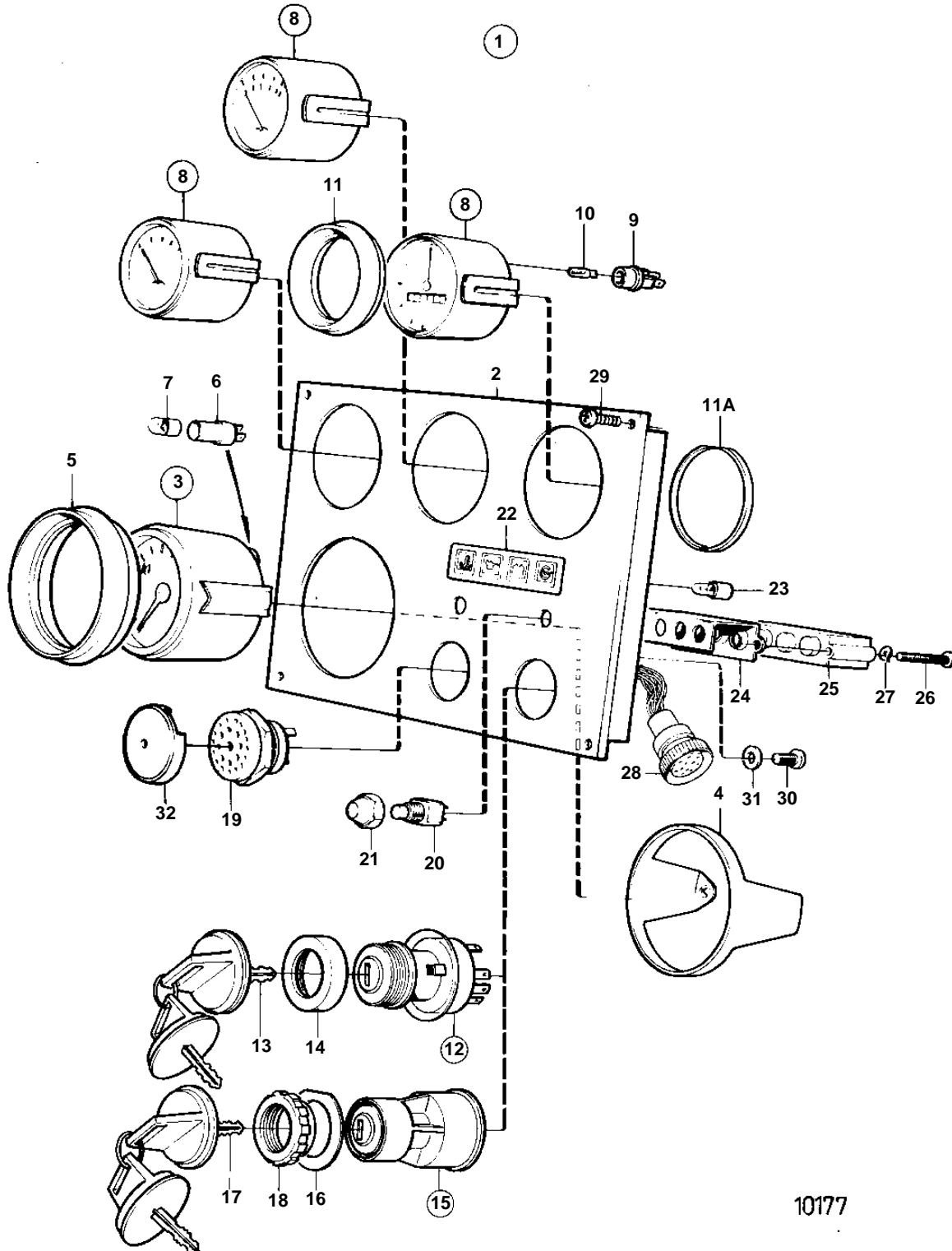


TAMD71A



10177

## TAMD71A

| REF | PART NO. | QTY | DESCRIPTION          | SEE SEC. | NOTES  |
|-----|----------|-----|----------------------|----------|--|
| 1   | 862579   | 1   | Instrument panel     |          | REPLACED BY 864046. White coloured stripe.   |
| 2   | 860182   | 1   | · Instrument panel   |          | White coloured stripe.   |
| 3   | 854910   | 1   | · Tachometer         |          |  |
| 4   | 849523   | 1   | · · Attaching ring   |          |  |
| 5   | 858644   | 1   | · Front ring         |          |  |
| 6   | 808175   | 1   | · Bulb socket        |          | Fits bulb with base BA 7S.   |
| 7   | 182059   | 1   | · Bulb               |          | 24V, 3W BA7S   |
| 8   | 863933   | 1   | · Thermometer        |          |  |
|     | 863935   | 1   | · Oil pressure gauge |          | For bulb with base W2X4,6d.  |
|     | 873200   | 1   | · Voltmeter          |          | (863931)   |
| 9   | 863945   | 3   | · · Bulb socket      |          | For bulb with base W2X4,6d.. For instruments of early production should white bulb 182059 and bulb holder 808175 be mounted. |
| 10  | 863947   | 3   | · · Bulb             |          | RED, 24V, 1,2W W2x4,6d. For instruments of early production should white bulb 182059 and bulb holder 808175 be mounted.      |
| 11  | 858643   | 3   | · Front ring         |          |  |
| 11A | 828803   | 3   | · Ring               |          |  |
| 12  | 828778   | 1   | · Starter switch     |          | REPLACED BY 864277   |
| 13  | 828676   | 2   | · · Key              | SO       | State key code when ordering.  |
| 14  | 1581184  | 1   | · Round nut          |          |  |
| 15  | 864277   | 1   | · Starter switch     |          |  |
| 16  |          | 1   | · · Marking label    |          |  |
| 17  | 859953   | 2   | · · Key              | SO       | State key code when ordering.  |
|     |          |     | · · Bulletin 49-30   | 49-30-EN | Key P/N 859953   |
| 18  | 859955   | 1   | · · Plastic nut      |          |  |
| 19  | 828587   | 1   | · Buzzer             |          |  |
| 20  | 828584   | 1   | · Switch             |          | ALARM TEST   |
|     | 828585   | 1   | · Switch             |          | INSTR. LIGHT   |
| 21  | 828586   | 2   | · Nut                |          |  |
| 22  | 858645   | 1   | · Symbol strip       |          |  |
| 23  | 828818   | 4   | · Bulb               |          |  |
| 24  | 828784   | 1   | · Reflector          |          |  |
| 25  | 873209   | 1   | · Electronic unit    |          | (828783)   |
| 26  | 941615   | 2   | · Screw              |          |  |
| 27  | 941904   | 2   | · Spring washer      |          |  |
| 28  | 828646   | 1   | · Cable trunk        |          |  |
| 29  | 828647   | 4   | · Screw              |          |  |
| 30  | 949947   | 1   | · Screw              |          |  |
| 31  | 941904   | 1   | · Spring washer      |          |  |
| 32  | 858795   | 1   | · Protecting casing  |          |  |