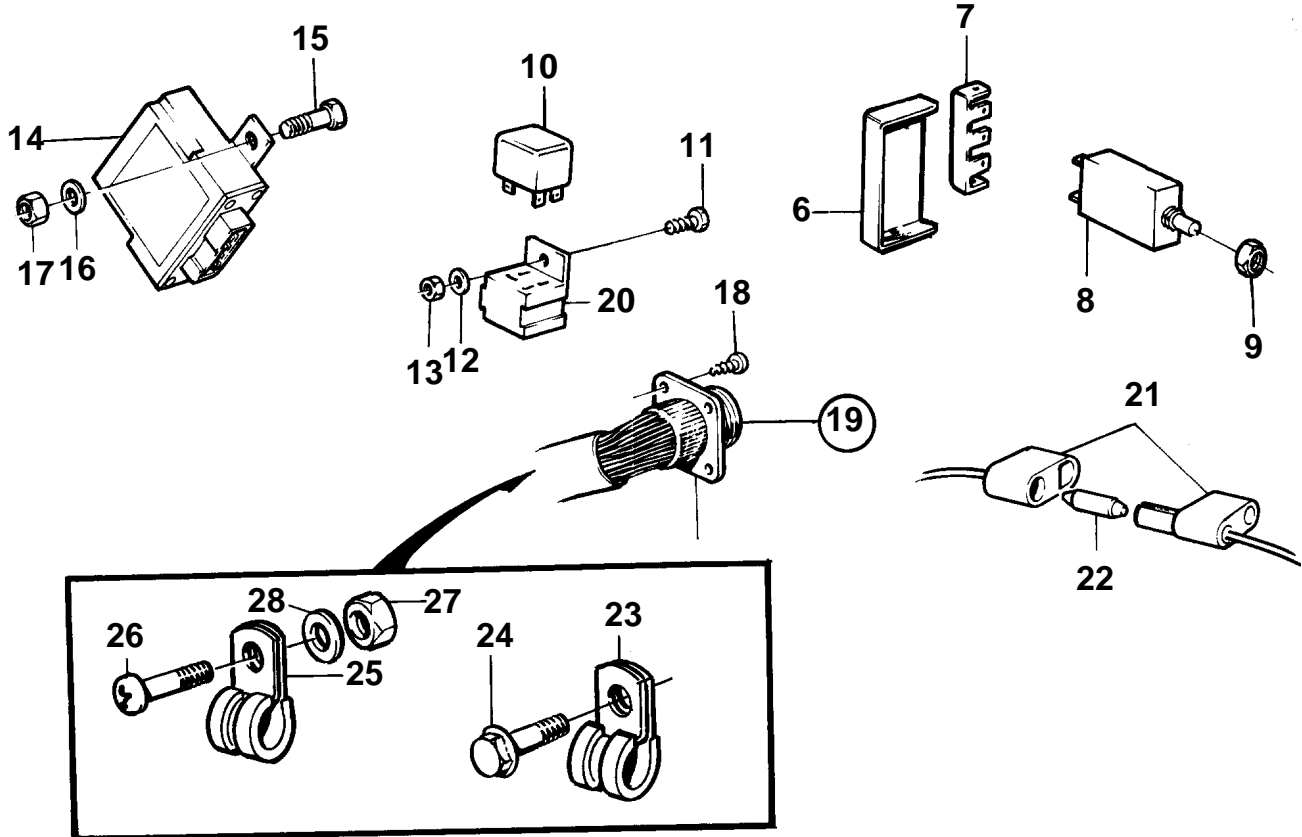
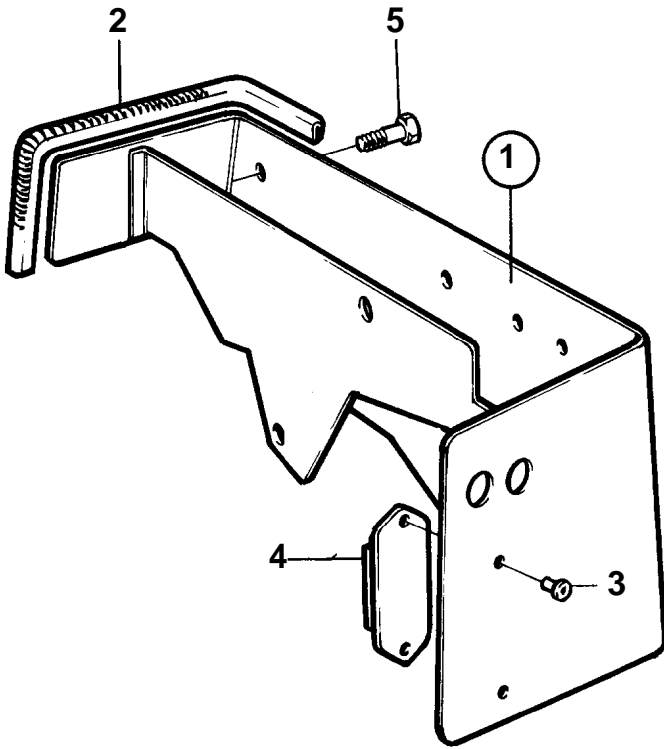


TAMD72A



TAMD72A

REF	PART NO.	QTY	DESCRIPTION	NOTES
1	864500	1	Electrical distribut	REPLACED BY 876679
	876679	1	Conversion kit	
2	1214306	X	· Protecting moulding	
3	942670	2	· Rivet	
4	1234048	1	· Lower section	
5	967949	3	Screw	
6	1234264	1	Upper section	
7	1234263	1	Pin	
8	966689	2	Fuse	
9		2	· Nut	
10	876039	2	Relay kit	12V START-STOP
	8153600	2	Relay	24V START-STOP,(1504951)
11	967378	2	Screw	
12	941905	2	Spring washer	
13	955780	2	Nut	
14	863481	1	Timer relay	
15	967390	2	Screw	
16	941906	4	Spring washer	
17	955781	4	Nut	
18	945761	4	Screw	
19	862860	1	Cable trunk	ENGINE
20	977184	2	Tab housing	(946556)
21	966334	1	Fuse holder	
22	942785	1	Fuse	12V, 16A
	11433	1	Fuse	28V, 8A
23	952635	2	Clamp	25,4mm
24	967949	2	Screw	L=12mm
25	952630	1	Clamp	17,5mm
26	967390	1	Screw	
27	955781	1	Nut	
28	941906	1	Spring washer	