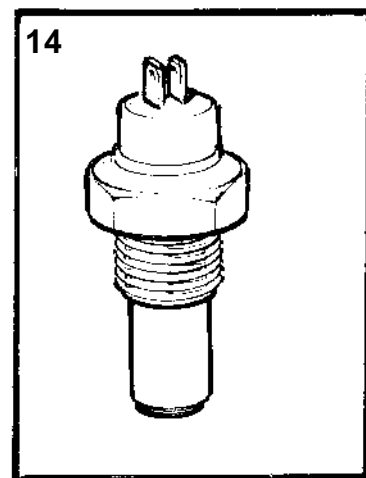
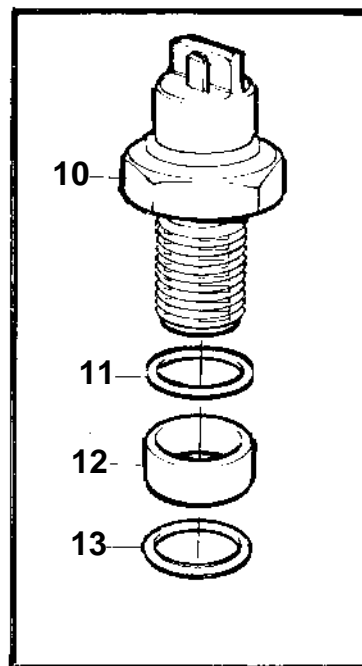
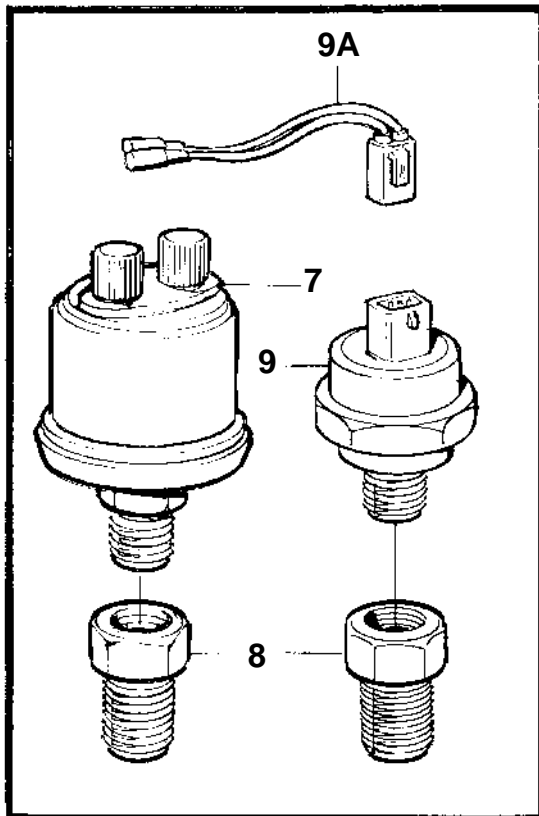
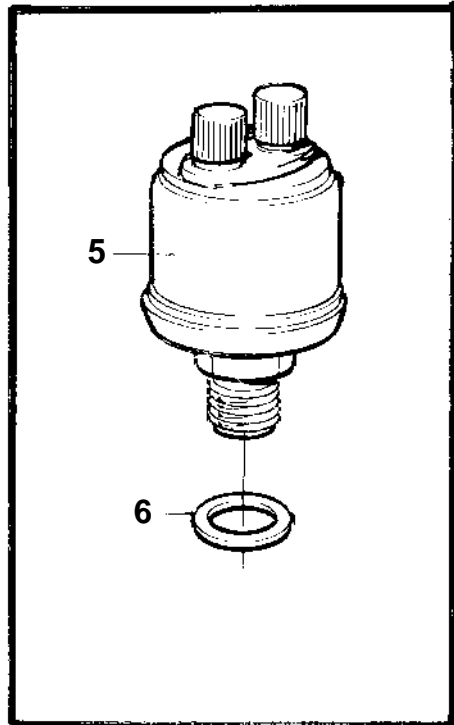
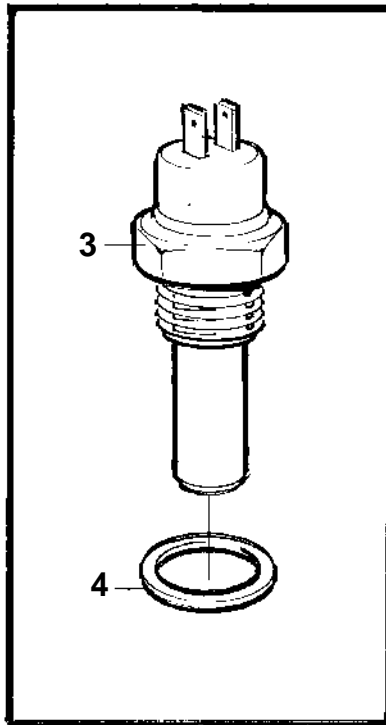
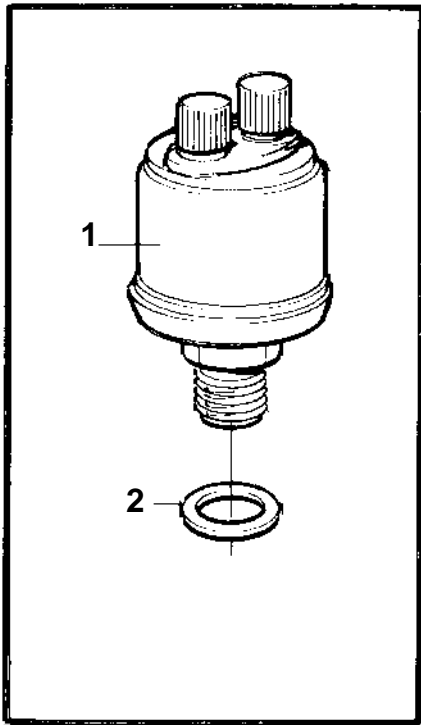


TAMD71A, TAMD72A



**TAMD71A, TAMD72A**

REF	PART NO.	QTY	DESCRIPTION	NOTES
1	866840	1	Pressure sensor, reverse gear	0-30bar (837781)
2	947624	1	Gasket	
3	843325	1	Temperature sensor, coolant water temp.	
	858596	1	Temperature sensor, coolant water temp.	For double steering positions.
4	11998	1	Gasket	(947624)
5	866838	1	Pressure sensor, turbo	ALT,0-2bar
	872196	1	Pressure sensor, turbo	ALT,0-3bar
6	957181	1	Gasket	
7	866833	1	Pressure sensor, oil-engine	0-10bar (843231)
	866834	1	Pressure sensor, oil-engine	0-10bar (843232). For double instruments.
8	862109	2	Nipple	
9	863169	1	Pressure monitor	STOP, 0,7bar (864415)
9A	873601	1	Cable	
10	1502028	1	Tachometer sensor	
11	949656	1	O-ring	
12	865808	1	Spacer sleeve	L=11,0mm
13	949656	1	O-ring	
14	862177	1	Thermo monitor, temperature	