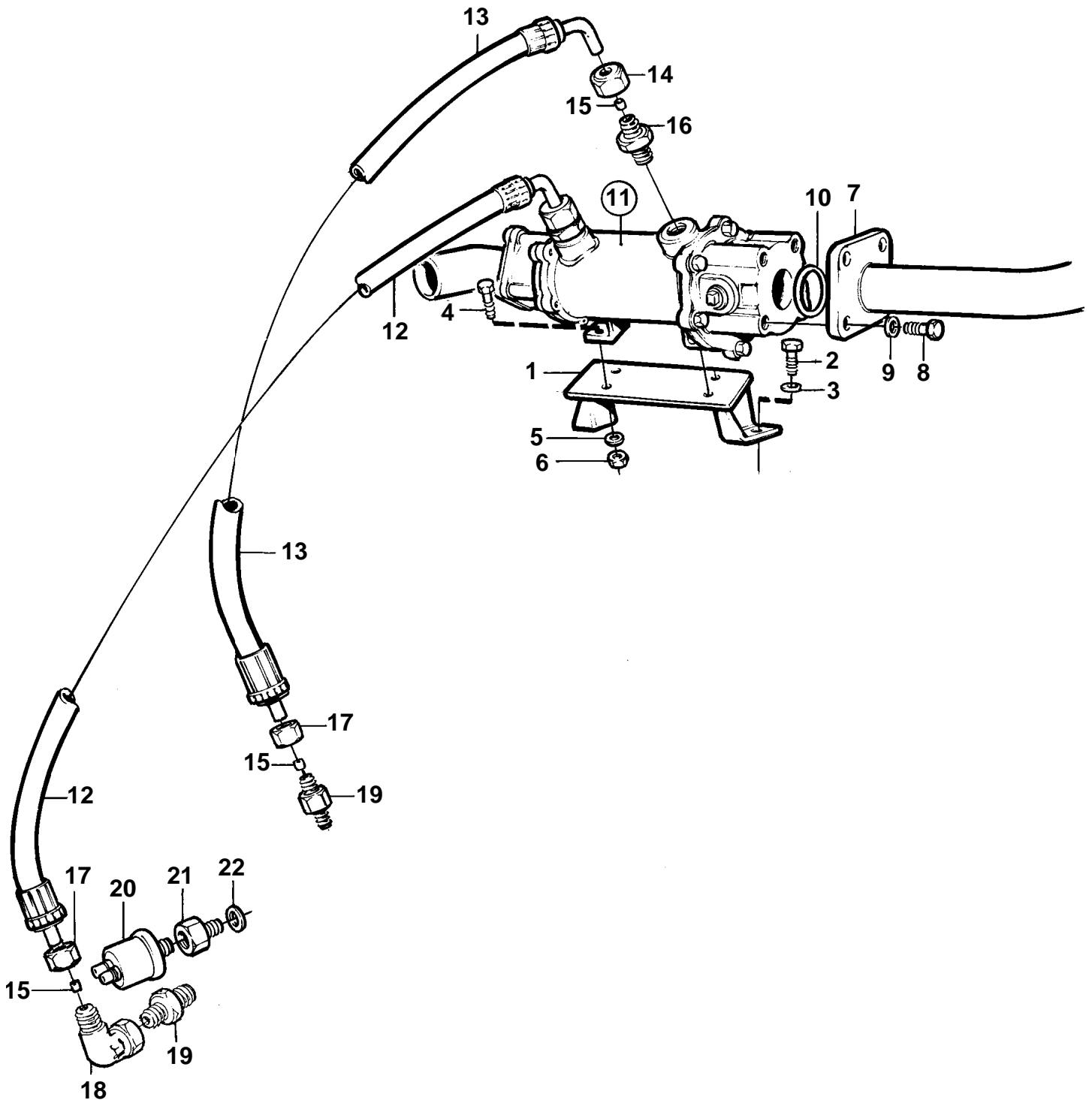


TAMD71A



15952

## TAMD71A

| REF | PART NO. | QTY | DESCRIPTION                 | SEE SEC. | NOTES        |
|-----|----------|-----|-----------------------------|----------|--------------|
| 1   | 848098   | 1   | Bracket                     |          |              |
| 2   | 965191   | 2   | Screw                       |          |              |
| 3   | 940280   | 2   | Spring washer               |          | EARLY TYPE   |
| 4   | 955295   | 4   | Screw                       |          |              |
| 5   | 941907   | 4   | Spring washer               |          | EARLY TYPE   |
| 6   | 955782   | 4   | Nut                         |          |              |
| 7   |          | 1   | Coolant pipe                | 865      |              |
| 8   | 970947   | 4   | Screw                       |          | (955317)     |
| 9   | 941908   | 4   | Spring washer               |          |              |
| 10  | 864491   | 1   | Gasket                      |          |              |
| 11  |          | 1   | Oil cooler                  |          |              |
|     |          |     |                             | 764      |              |
| 12  | 847165   | 2   | Hose                        |          | L=580mm      |
| 13  | 837935   | 1   | Hose                        |          | L=460mm      |
| 14  | 941331   | 2   | Nut                         |          |              |
| 15  | 956970   | 4   | Ferrule                     |          |              |
| 16  | 968132   | 2   | Nipple                      |          |              |
| 17  | 956984   | 2   | Nut                         |          |              |
| 18  | 964016   | 1   | Nipple                      |          |              |
| 19  | 941750   | 2   | Nipple                      |          |              |
| 20  |          | 1   | Pressure sensorreverse gear |          | SEE GROUP 30 |
| 21  | 842425   | 1   | Nipple                      |          | (864509)     |
| 22  | 947624   | 1   | Gasket                      |          |              |