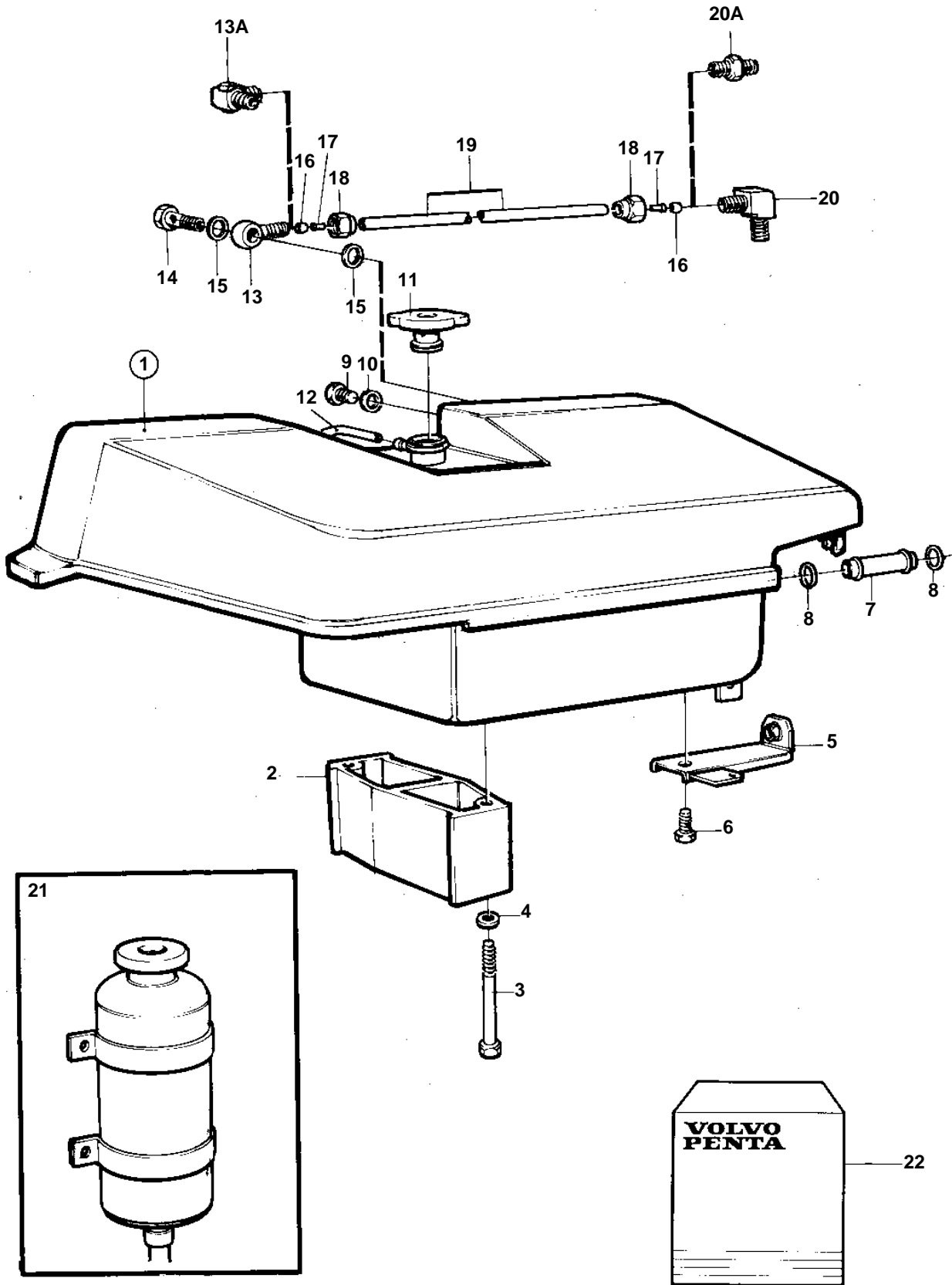


TAMD71A, TAMD72A



16007

TAMD71A, TAMD72A

REF	PART NO.	QTY	DESCRIPTION	SEE SEC.	NOTES
1	848809	1	Expansion tank		REPLACED BY 864289
				530	
	864289	1	Expansion tank		Replaced by 1 ea expansion tank 3825381 and 1 ea conversion kit 876679.
			Comps. not spec.		
	3825381	1	Expansion tank		BLACK
			Comps. not spec.		
2	848516	2	Spacer plate	OP	
3	965217	4	Flange screw		
4	941907	4	Spring washer		
5	864414	1	Bracket		EARLY TYPE. For electric box 864500.
6	967949	2	Screw		EARLY TYPE. For electric box 864500.
7	848519	1	Tube		
8	471626	2	Sealing ring		
9	966142	1	Plug		EARLY TYPE
	861551	1	Plug		LATE TYPE
10	957175	1	Gasket		FOR 966142
11	845879	1	Cover		
12	192618	X	Hose		L=800mm
13	945417	1	Nipple		LATE TYPE
13A	479958	1	Elbow nipple		EARLY TYPE (329638)
14	969299	1	Hollow screw		LATE TYPE
15	11994	2	Gasket		LATE TYPE
16	954364	2	Fitting		
17	944717	2	Sleeve		
18	954356	2	Cap nut		
19	945460	X	Plastic pipe		L=125mm
20	954385	1	Elbow nipple		
20A	954378	1	Fitting		EARLY TYPE
21		1	Expansion tank		SEE GROUP 90
22	876679	1	Conversion kit		