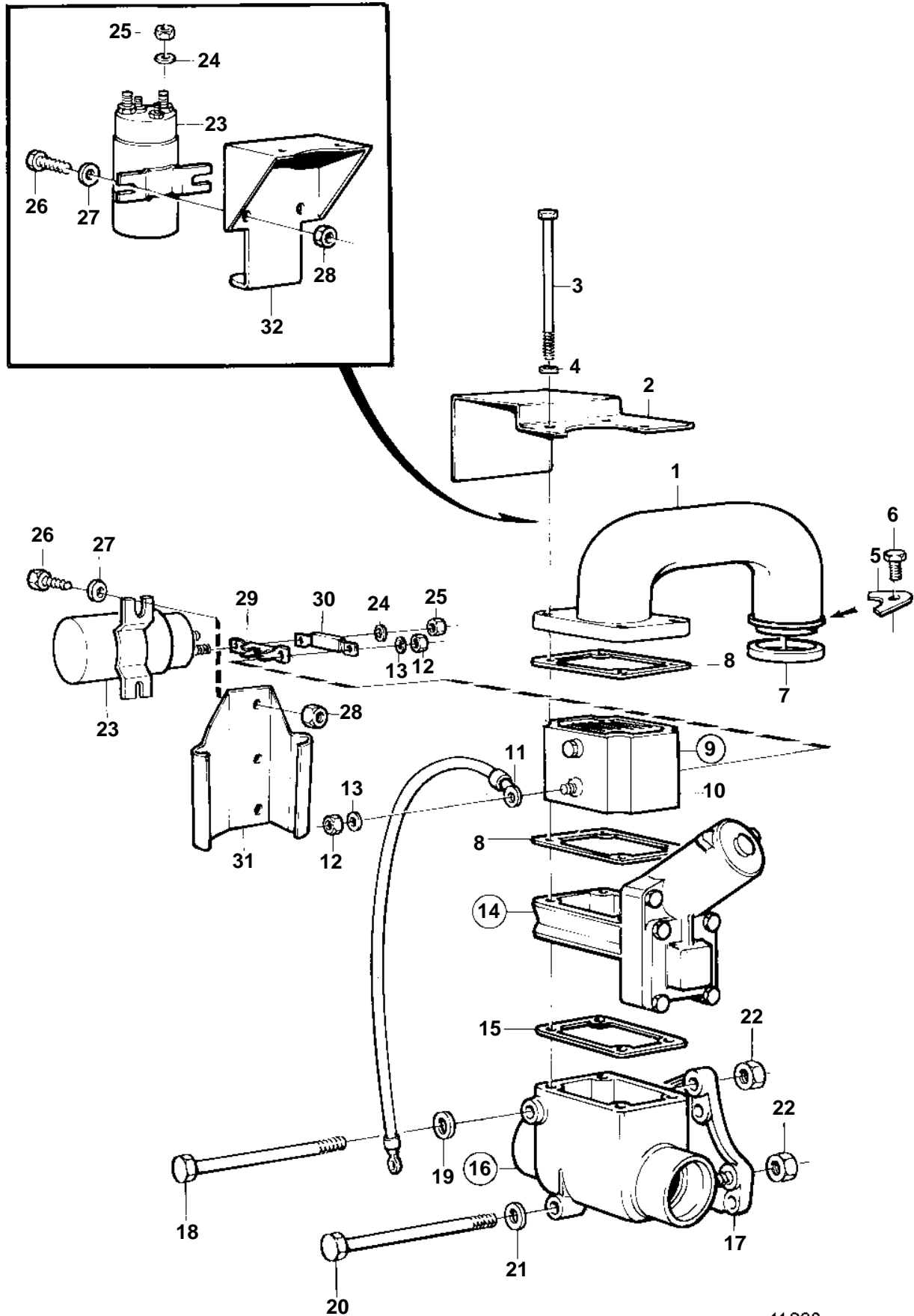


TAMD71A



## TAMD71A

REF	PART NO.	QTY	DESCRIPTION	SEE SEC.	NOTES
1	847823	1	Connection pipe		Starting heater-inlet manifold.
2	863375	1	Protecting plate		
3	955310	4	Screw		LATE TYPE, L = 130mm
	955311	3	Screw		EARLY TYPE, L=140mm
	955310	1	Screw		EARLY TYPE, L=130mm
4	941907	4	Spring washer		
	966674	4	Washer		EARLY TYPE, (960141)
5	848287	1	Retainer		
6	946544	1	Flange screw		
7	925071	1	O-ring		
8	424619	2	Gasket		
9	863377	1	Starter element		12V
	863378	1	Starter element		24V
10		1	· Starter element		12V
		1	· Starter element		24V
11		1	· Cable		
12	17624	2	· Nut		
13	955894	2	· Washer		
14	471700	1	Valve		REPLACED BY 865385
				1176	
	863585	1	By-pass valve		
				1176	
15	471682	1	Gasket		
16	848808	1	Shutter housing		
17	847825	1	Bracket		
18	970971	2	Screw		L=35mm
19	955897	2	Washer		
20	955309	2	Screw		
21	941907	2	Spring washer		
22	946036	2	Lock nut		
23	872242	1	Relay		12V, (1577375)
	1088170	1	Relay		24V, (1577376)
24	941907	2	Spring washer		
25	955782	2	Nut		
26	955244	2	Screw		
27	940090	2	Washer		
28	946577	2	Lock nut		
29	471477	1	Fuse		
30	421692	1	Support		
31	866463	1	Attaching plate		(471811)
32	848997	1	Attaching plate		EARLY TYPE. Replaced by 1 ea support 421692, 1 ea attachment plate 471811, 1 ea fuse 471477, 1 ea protective plate 863375.