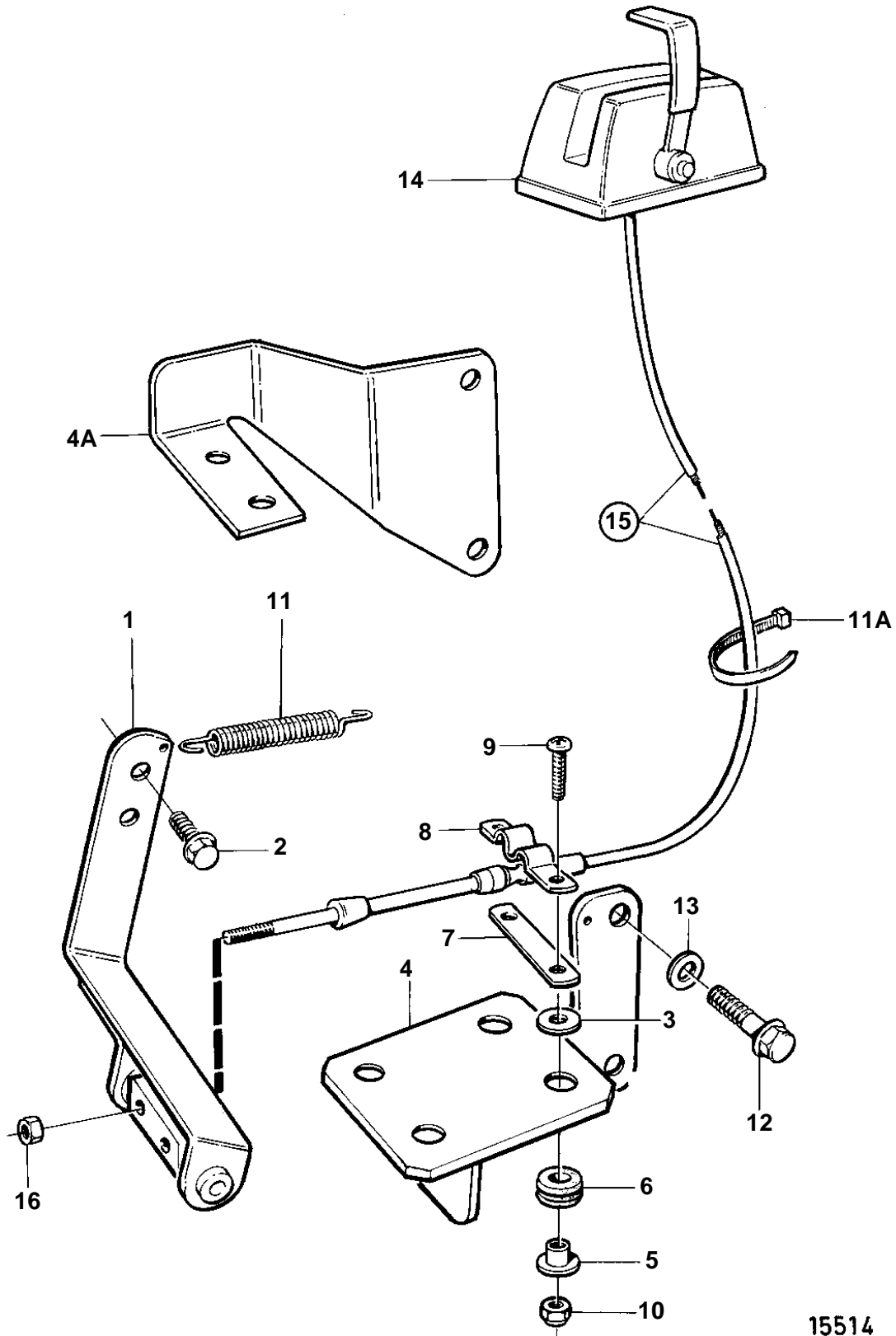


TAMD72A



15514

**TAMD72A**

REF	PART NO.	QTY	DESCRIPTION	SEE SEC.	NOTES
1	865023	1	Lever		
2	965175	2	Screw		
3	960138	2	Washer		
4	866652	1	Bracket		LATE TYPE
4A	865024	1	Bracket		EARLY TYPE
5	824830	2	Spacer sleeve		
6	824834	2	Bushing		
7	850183	1	Spacer		
8	850182	1	Cable attachment		
9	956080	2	Screw		
10	963104	2	Nut		
11		1	Return spring	622	
11A	948211	1	Strip clamp		
12		2	Screw		SEE GROUP 21
13		2	Washer		
14		X	Control	264	
15		X	Control cable	231	
16		X	• Nut		