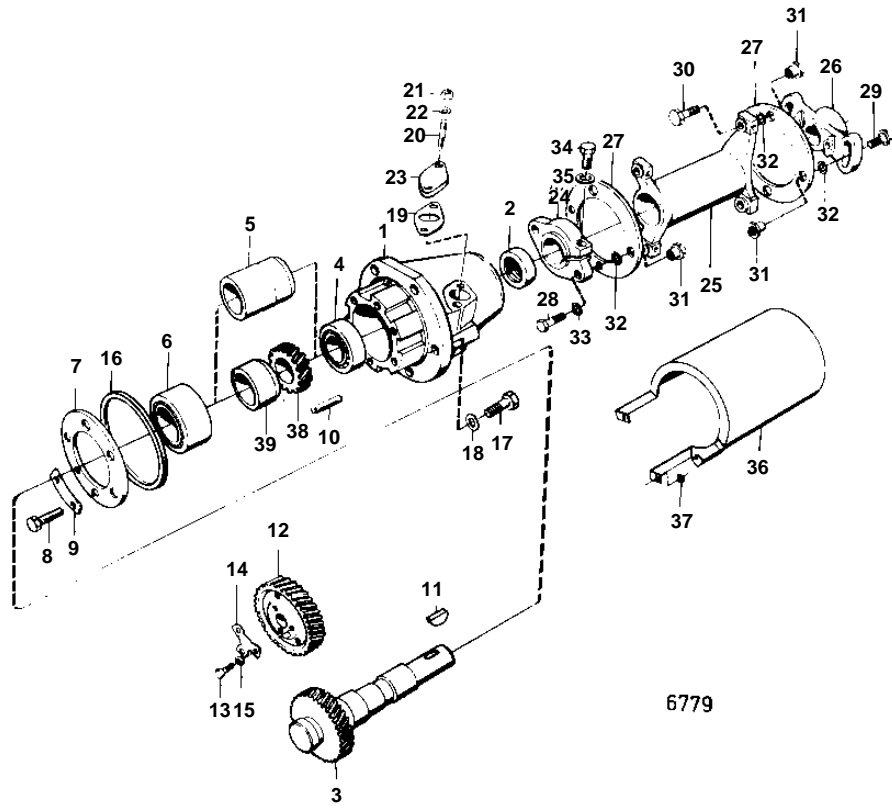


TAMD70D,AQD70D,TAMD70E



TAMD70D,AQD70D,TAMD70E

REF	PART NO.	QTY	DESCRIPTION	NOTES
1	421074	1	Bearing housing	
2	424580	1	Sealing ring	IK
3	422073	1	Shaft	
4	11013	1	Ball bearing	
5	467347	1	Spacer sleeve	
6	181577	1	Ball bearing	
7	423074	1	Washer	
8	940100	6	Screw	
9	421415	3	Lock washer	
10	950586	1	Pin	
11	422329	1	Woodruff key	
12	421079	1	Gear	SEE GROUP 2A
13	102056	3	Screw	
14	467052	1	Lock washer	
15	467055	3	Washer	
16	423123	1	Sealing ring	
17	955525	4	Screw	L = 25 MM
	955527	1	Screw	L = 57 MM
18	941907	5	Spring washer	
19	422130	1	Gasket	
20	953224	2	Stud	
21	955825	2	Nut	
22	941906	2	Spring washer	
23	422643	1	Cover	
24	424130	1	Companion flange	
25	421188	1	Intermediate section	
26	422461	1	Companion flange	
27	417512	6	Dog clutch disc	
28	955675	2	Screw	
29	422469	2	Screw	
30	955676	4	Screw	
31	422187	8	Nut	
32	417514	8	Washer	
33	940097	2	Washer	
34	940160	1	Screw	
35	955896	1	Washer	
36	822876	1	Pump coupling guard	
37	955894	1	Washer	
38	469364	1	Gear	TAMD70E
39	469363	1	Stop ring	TAMD70E