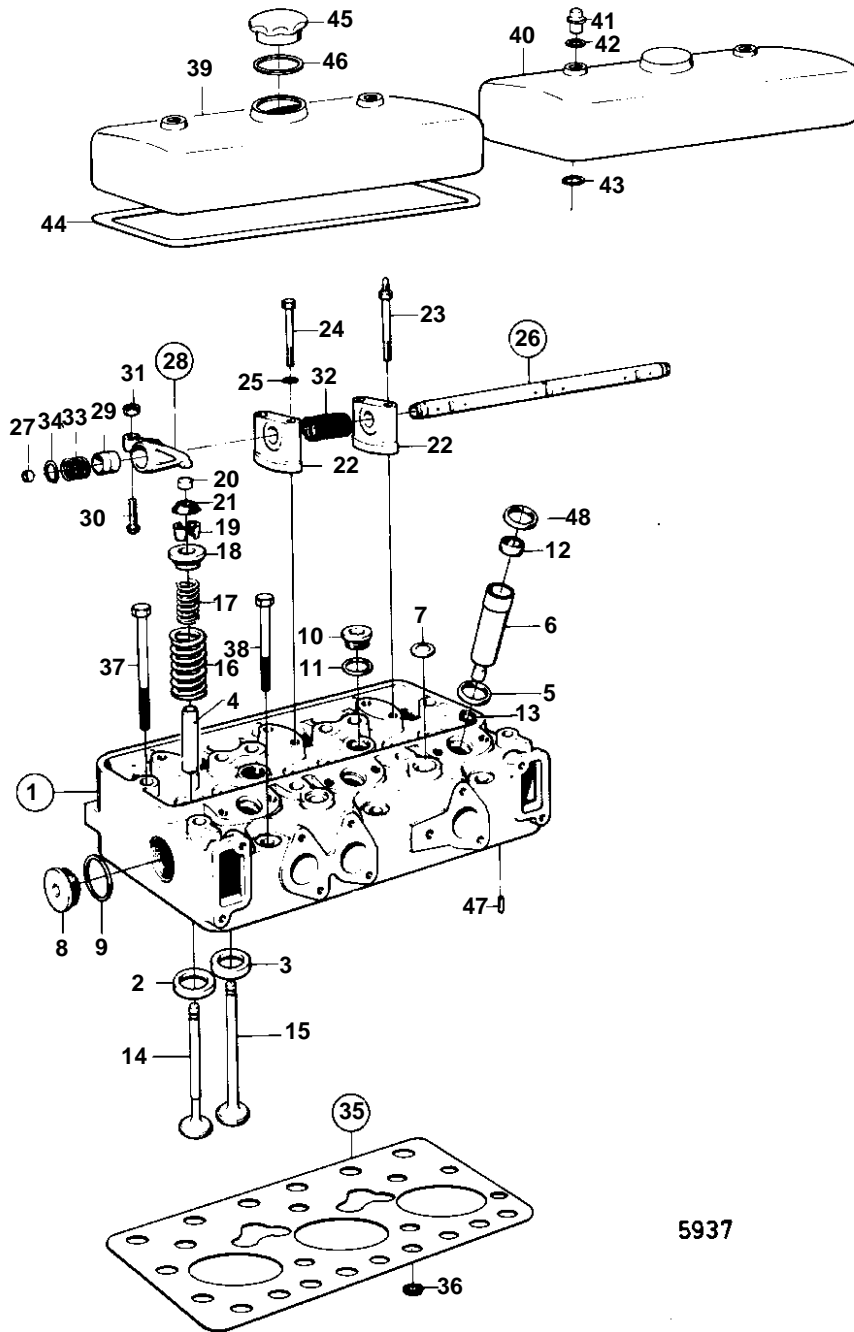


TAMD70D,AQD70D,TAMD70E



5937

CYLINDER HEAD

02A

TAMD70D,AQD70D,TAMD70E

REF	PART NO.	QTY	DESCRIPTION	NOTES
1	466549	2	Cylinder head	
	3803035	2	Cylinder head, exch	Exchange unit
2	421011	6	· Valve seat	STD D
	421316	6	· Valve seat	0,20 MM O.S
3	466266	6	· Valve seat	STD D
	466307	6	· Valve seat	0,20 MM O.S
4	466386	12	· Valve guide	
5	466405	6	· Rubber ring	IK
6	466403	6	· Sleeve	
7	192426	2	· Plug	
8	467367	4	· Plug	
9	469328	4	· Gasket	IK
10	466230	4	· Plug	
11	420166	4	· Gasket	IK
12	466420	6	· Steel ring	
13	466922	6	· O-ring	
14	844594	6	Inlet valve	
15	842080	6	Exhaust valve	
16	466384	12	Valve spring	
17	466383	12	Spring	
18	466382	12	Washer	
19	468305	24	Valve collet	
20	469365	12	Valve cap	
21	469456	12	Protecting ring	IK
22	421416	6	Bearing bracket	
23	420270	4	Stud	
24	955540	8	Screw	
25	942336	8	Spring washer	
26	421019	2	Shaft	
27	946778	4	· Cap plug	
28	422063	12	Rocker arm	
29	422066	12	· Bushing	
30	423058	12	· Ball stud	
31	940175	12	· Nut	
32	421173	4	Spring	
33	421172	4	Spring	
34	914459	4	Lock ring	
35	275525	2	Gasket kit	
36	422414	12	· Sealing ring	IK D = 32 MM
	466421	16	· Sealing ring	IK D = 16 MM
	422413	2	Sealing ring	IK D = 11 MM
37	421218	20	Screw	L = 168 MM
38	466764	6	Screw	L = 118 MM
39	421063	1	Cover	
40	421065	1	Cover	
41	424341	4	Cap nut	
42	469846	4	Sealing ring	IK
43	914449	4	Lock ring	
44	421066	2	Gasket	IK
45	420292	1	Oil filler cap	
46	940096	1	Gasket	IK
47	949020	4	Pin	
48	469455	6	Sealing ring	