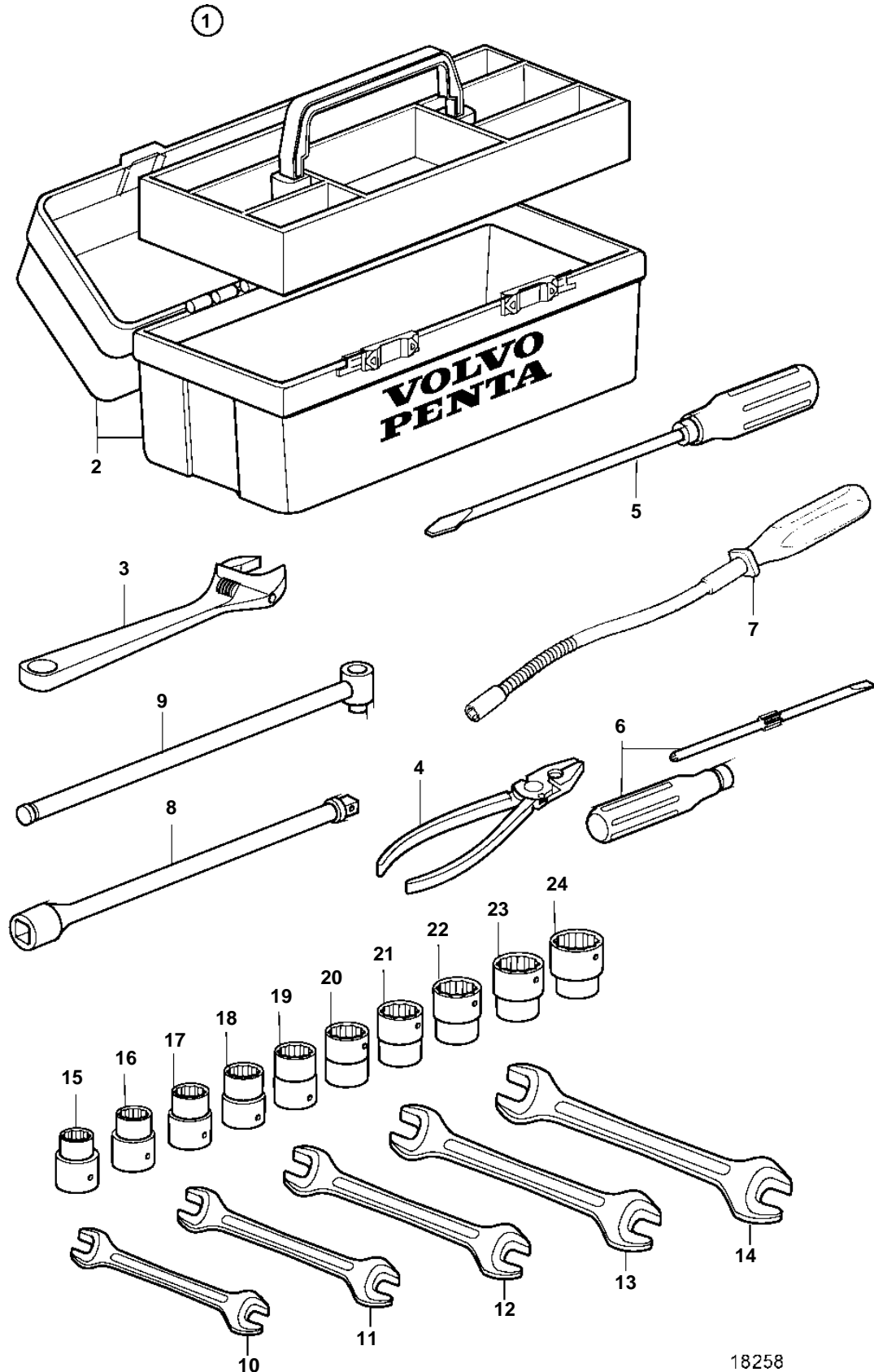


TD610V, TWD610V, TD630VE, TWD630VE, TD640VE, TD71A, TID71A, TWD710V, TD730VE, TAD730V, TWD731VE, TWD740VE, TAMD63L-A, TAMD63L-B, TAMD63P-A, TAMD74A-A, TAMD74A-B, TAMD74C-A, TAMD74L-A, TAMD74P-A, TAMD74C-B, TAMD74L-B, TAMD74P-B, D12C-A MP, TAMD162A, TAMD162B, TAMD162C, TAMD162C-B, TAMD162C-C, TAMD163A-A, TAMD163P-A, TAMD165A-A, TAMD165C-A, TAMD165P-A



18258

TD610V, TWD610V, TD630VE, TWD630VE, TD640VE, TD71A, TID71A, TWD710V, TD730VE, TAD730V, TWD731VE, TWD740VE, TAMD63L-A, TAMD63L-B, TAMD63P-A, TAMD74A-A, TAMD74A-B, TAMD74C-A, TAMD74L-A, TAMD74P-A, TAMD74C-B, TAMD74L-B, TAMD74P-B, D12C-A MP, TAMD162A, TAMD162B, TAMD162C, TAMD162C-B, TAMD162C-C, TAMD163A-A, TAMD163P-A, TAMD165A-A, TAMD165C-A, TAMD165P-A

REF	PART NO.	QTY	DESCRIPTION	NOTES
1	849167	1	Tool kit	
2	842021	1	· Tool box	
3		1	· Adjustable wrench	
4		1	· Pliers	
5	804771	1	· Screwdriver	
6		1	· Screwdriver	
7	884573	1	Tool	
8		1	· Extension	
9		1	· Jointed handle	
10		1	· Open-end wrench	10-11mm
11		1	· Open-end wrench	12-13mm
12		1	· Open-end wrench	14-15mm
13		1	· Open-end wrench	17-19mm
14		1	· Open-end wrench	22-24mm
15		1	· Sleeve	10mm
16		1	· Sleeve	11mm
17		1	· Sleeve	12mm
18		1	· Sleeve	13mm
19		1	· Sleeve	14mm
20		1	· Sleeve	15
21		1	· Sleeve	17mm
22		1	· Sleeve	19mm
23		1	· Sleeve	22
24		1	· Sleeve	30mm