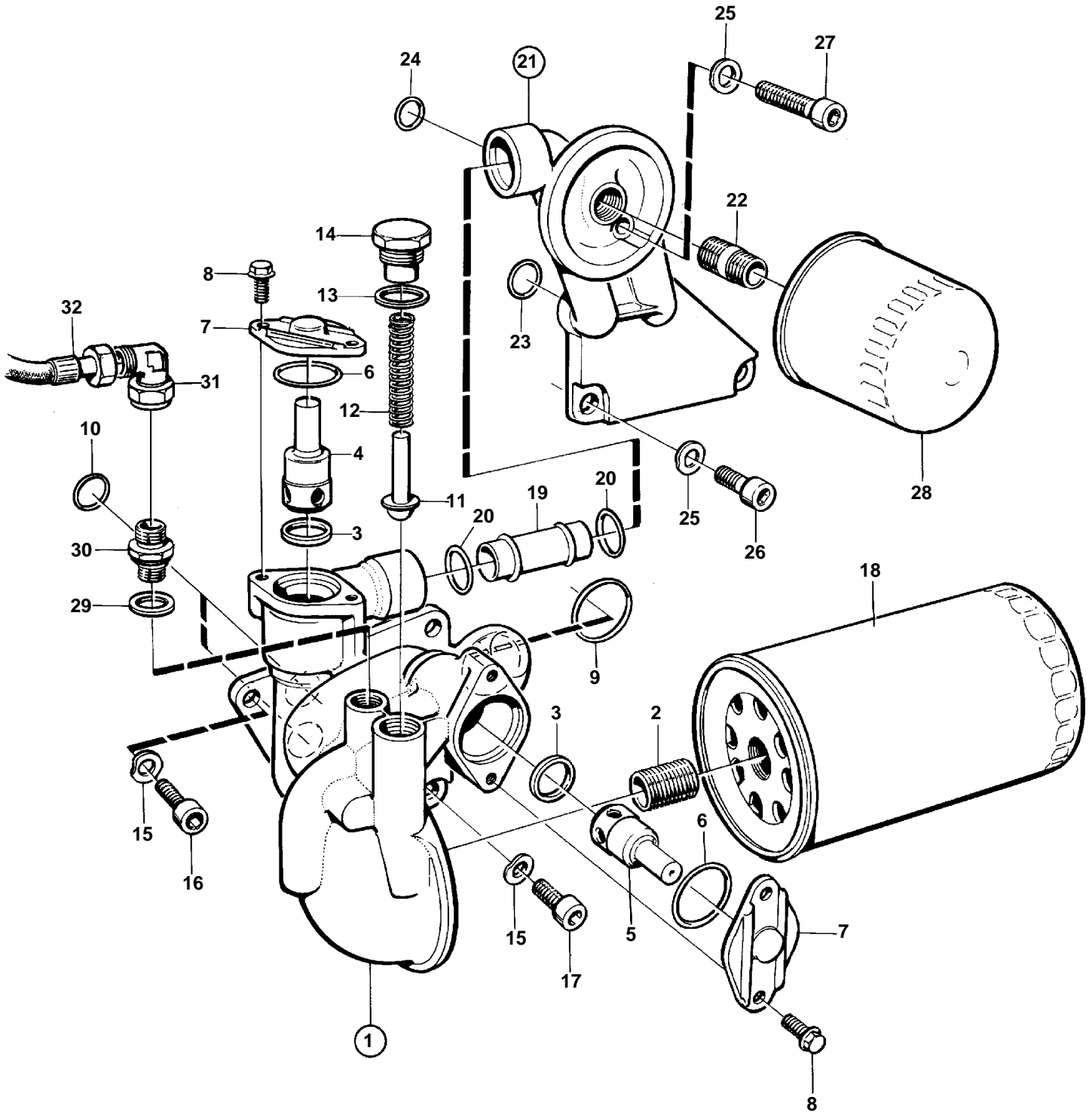


TAMD63L-A, TAMD63L-B, TAMD63P-A



TAMD63L-A, TAMD63L-B, TAMD63P-A

REF	PART NO.	QTY	DESCRIPTION	NOTES
1	866656	1	Oil filter housing	
2	466623	1	· Nipple	
3	469846	2	Sealing ring	
4	471646	1	Reducing valve	
5	471707	1	Reducing valve	
6	949659	2	O-ring	
7	471648	2	Cover	
8	946544	4	Flange screw	
9	949722	1	O-ring	
10	949656	2	O-ring	
11	471085	1	Valve	
12	466653	1	Spring	
13	947627	1	Gasket	
14	471598	1	Plug	
15	942336	3	Spring washer	
16	959238	2	Screw	L=25mm
17	959236	1	Screw	L=20mm
18	847741	1	Oil filter	
19	465857	1	Tube	
20	471956	2	Sealing ring	
21	3825172	1	Oil filter housing	
22	829160	1	· Fitting	
23	949656	2	O-ring	
24	944364	1	O-ring	
25	942336	3	Spring washer	
26	959236	2	Screw	L=20mm
27	959241	1	Screw	L=40mm
28	3827069	1	Oil filter	(829390)
29	948883	1	Gasket	
30	963948	1	Nipple	
31	964016	1	Nipple	
32	3830001	1	Lube oil hose	(3826420). Turbo-oil filter housing.