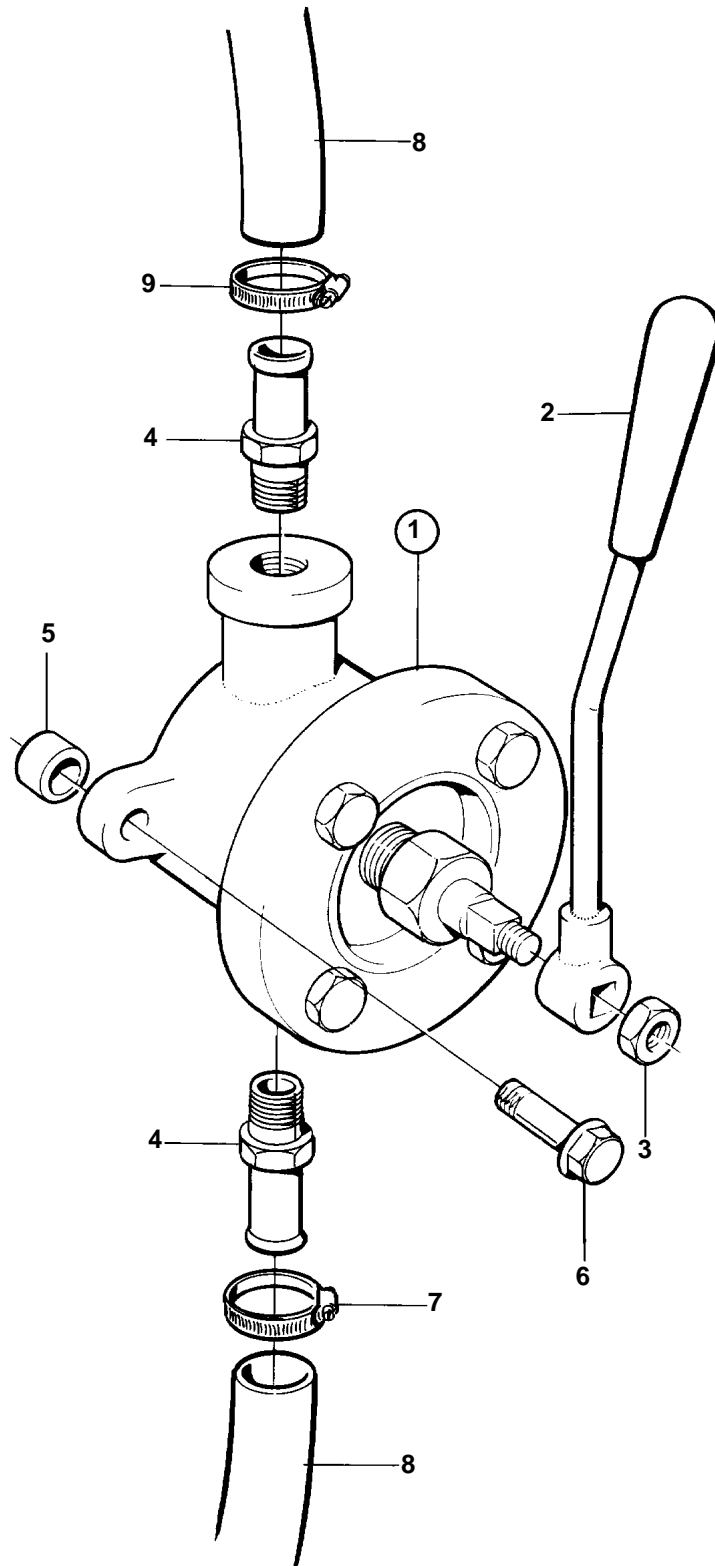


TAMD61A, TAMD62A, AMD63L-A, TAMD63L-B, TAMD63P-A, TAMD71A, TAMD71B, TAMD72A, TAMD72P-A, TAMD72WJ-A, TAMD73P-A, TAMD73WJ-A



15194

TAMD61A, TAMD62A, AMD63L-A, TAMD63L-B, TAMD63P-A, TAMD71A, TAMD71B, TAMD72A, TAMD72P-A, TAMD72WJ-A, TAMD73P-A, TAMD73WJ-A

REF	PART NO.	QTY	DESCRIPTION	NOTES
1	805999	1	Oil bilge pump	
2		1	· Handle	
3	955783	1	Nut	
4	479978	2	Nipple	(961654)
5	845884	2	Spacer sleeve	L=30mm
6	965181	2	Screw	
7	961665	2	Hose clamp	
8	941522	X	Hose	
9	961665	2	Hose clamp	