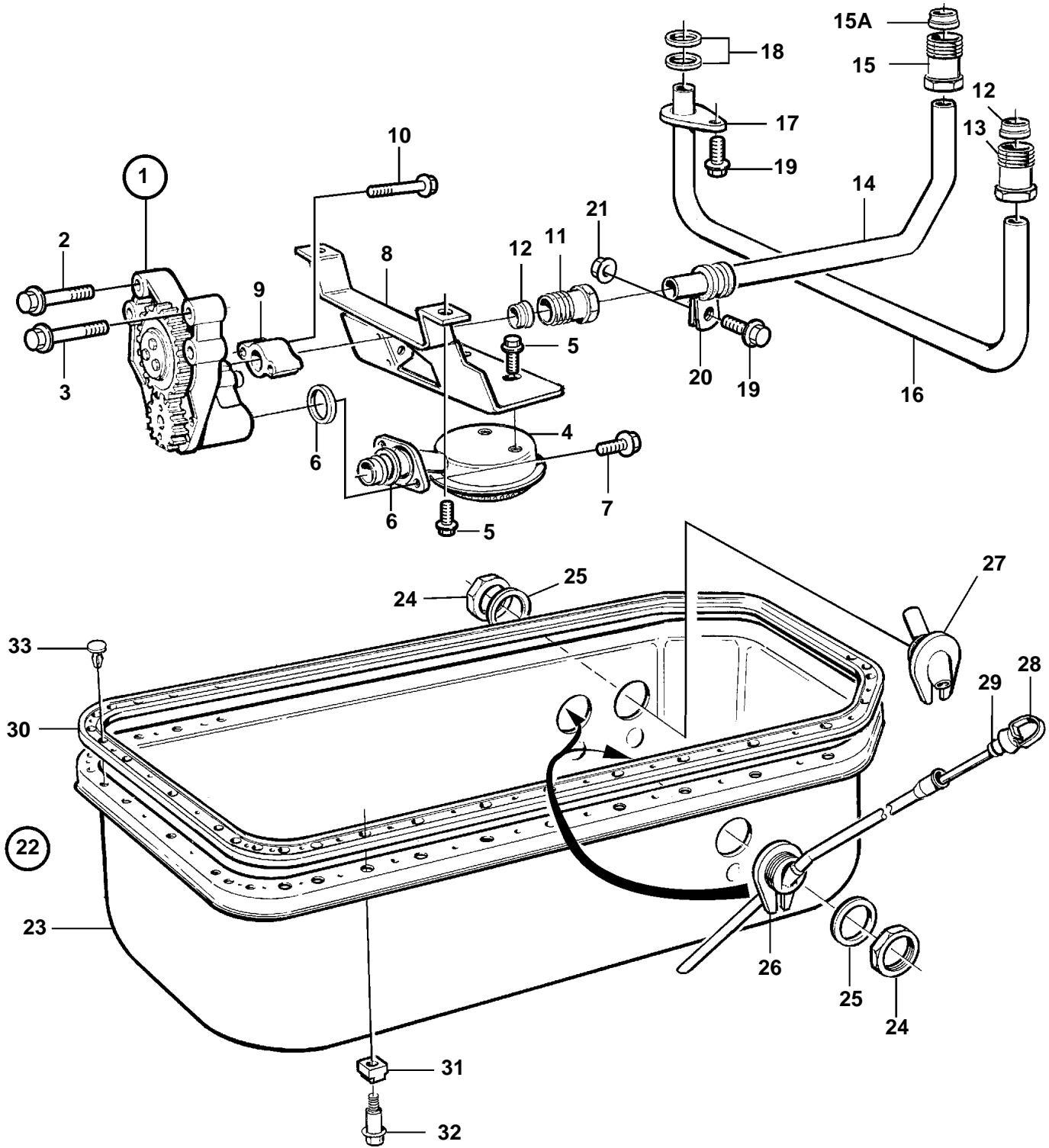


TAMD63L-A, TAMD63L-B, TAMD63P-A



TAMD63L-A, TAMD63L-B, TAMD63P-A

REF	PART NO.	QTY	DESCRIPTION	SEE SEC.	NOTES
1	477547	1	Oil pump	1036	
2	471513	4	Screw		M10x70mm
3	471734	2	Screw		M8x70mm
4	848941	1	Oil pump screen		
5	946440	4	Flange screw		M8x90mm
6	470383	2	Sealing ring		
7	965183	2	Flange screw		
8	848076	1	Baffle plate		
9	465846	1	Intermediate section		
10	968553	2	Screw		M8x80mm
11	471588	1	Pressure pipe connec		M8x110mm
12	956972	2	Ferrule		
13	471595	1	Pressure pipe connec		
14	420994	1	Oil feed pipe		
15	471595	1	· Pressure pipe connec		
15A	956972	1	· Ferrule		
16	4772187	1	Oil feed pipe		
17	471746	1	Clamp		
18	471956	2	Sealing ring		
19	946440	2	Flange screw		
20	1545433	1	Clamp		
21	945408	1	Flange nut		
22		1	Oil pan		
23	865755	1	· Oil pan		
24	468948	3	· Nut		
25	468947	3	· Sealing ring		
26	866743	2	· Pipe		
27	866749	1	· Pipe connection		
28	866746	2	· Oil dipstick		
29	925054	2	· · O-ring		
30	420941	1	Gasket		
31	420991	34	Rubber cushion		
32	1556083	34	Screw		
33	943353	20	Rivet		