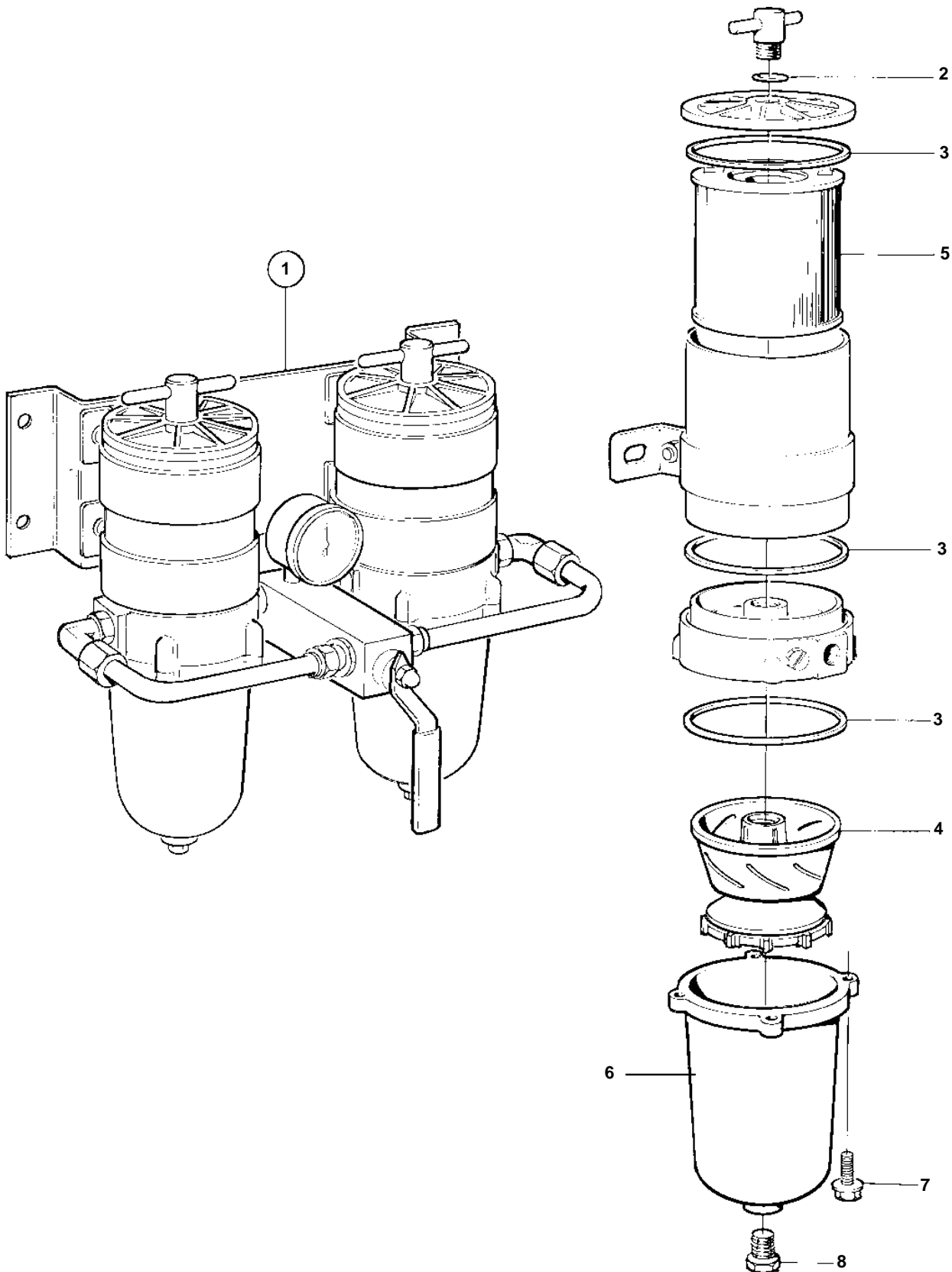


TAMD63L-A, TAMD63L-B, TAMD63P-A, TAMD71B, TAMD73WJ-A, TAMD73P-A, TAMD74A-A, TAMD74A-B, TAMD74C-A, TAMD74L-A, TAMD74P-A, TAMD74C-B, TAMD74L-B, TAMD74P-B, TAMD103A-A, D12C-A MP, TAMD162A, TAMD162B, TAMD162C, TAMD162C-B, TAMD162C-C, TAMD163A-A, TAMD163P-A



15909

TAMD63L-A, TAMD63L-B, TAMD63P-A, TAMD71B, TAMD73WJ-A, TAMD73P-A, TAMD74A-A, TAMD74A-B, TAMD74C-A, TAMD74L-A, TAMD74P-A, TAMD74C-B, TAMD74L-B, TAMD74P-B, TAMD103A-A, D12C-A MP, TAMD162A, TAMD162B, TAMD162C, TAMD162C-B, TAMD162C-C, TAMD163A-A, TAMD163P-A

REF	PART NO.	QTY	DESCRIPTION	SEE SEC.	NOTES
1	3825022	1	Fuel cleaner		LATE TYPE
			Bulletin 50-11A	50-11A-EN	Fuel Filters / Water Separators
2	838505	2	· O-ring		
3	846719	6	· Gasket		
4	3825028	2	· Turbine		
5	3825027	2	· Filter insert		
6	848293	2	· Bowl		
7	940094	8	· Screw		
8	952075	2	· Plug		