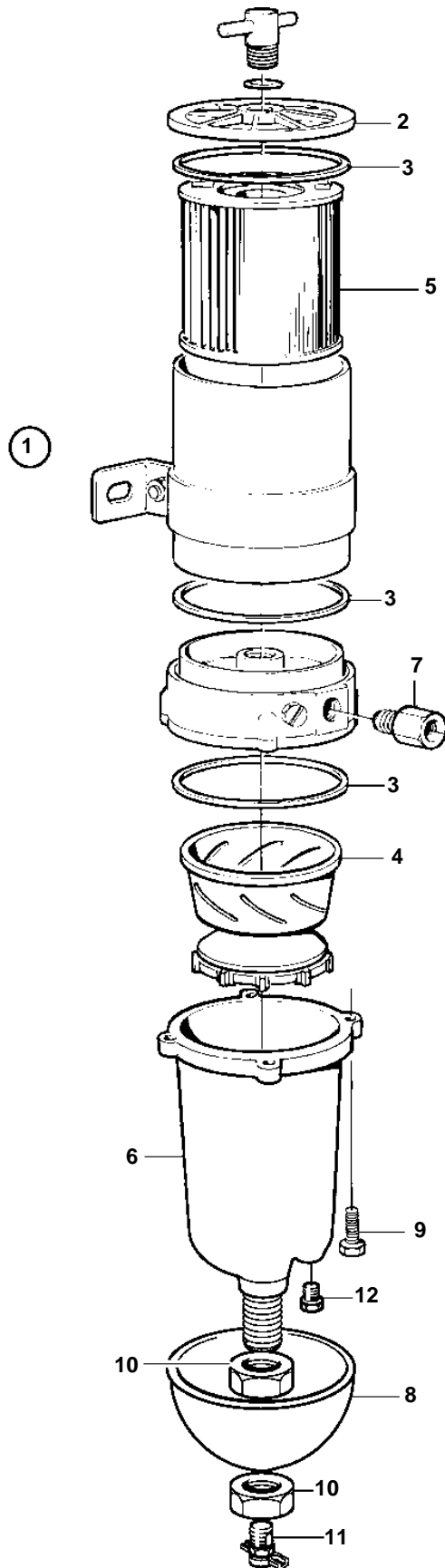


COMMON, TAMD63L-A, TAMD63L-B, TAMD63P-A, TAMD71B, TAMD73WJ-A, TAMD73P-A, TAMD74C-A, TAMD74A-A, TAMD74A-B, TAMD74L-A, TAMD74P-A, TAMD74C-B, TAMD74L-B, TAMD74P-B, TAMD103A-A



17172

COMMON, TAMD63L-A, TAMD63L-B, TAMD63P-A, TAMD71B, TAMD73WJ-A, TAMD73P-A, TAMD74C-A, TAMD74A-A, TAMD74A-B, TAMD74L-A, TAMD74P-A, TAMD74C-B, TAMD74L-B, TAMD74P-B, TAMD103A-A

REF	PART NO.	QTY	DESCRIPTION	SEE SEC.	NOTES
1	3825021	1	Fuel cleaner	SO	LATE TYPE. RINA approved.
			Bulletin 50-10	50-10-EN	Changes in Fuel Filter Program due to Legislation
2	838505	1	• O-ring		
3	846719	3	• Gasket		
4	3825028	1	• Turbine		
5	3825027	1	• Filter insert		
6	3825030	1	• Bowl		Transparent Bowl.
7	846620	2	• Nipple		
8		1	• Heat shield		
9	940094	4	• Screw		
10	861459	2	• Nut		
11	861458	1	• Tap		
12		1	• Plug		