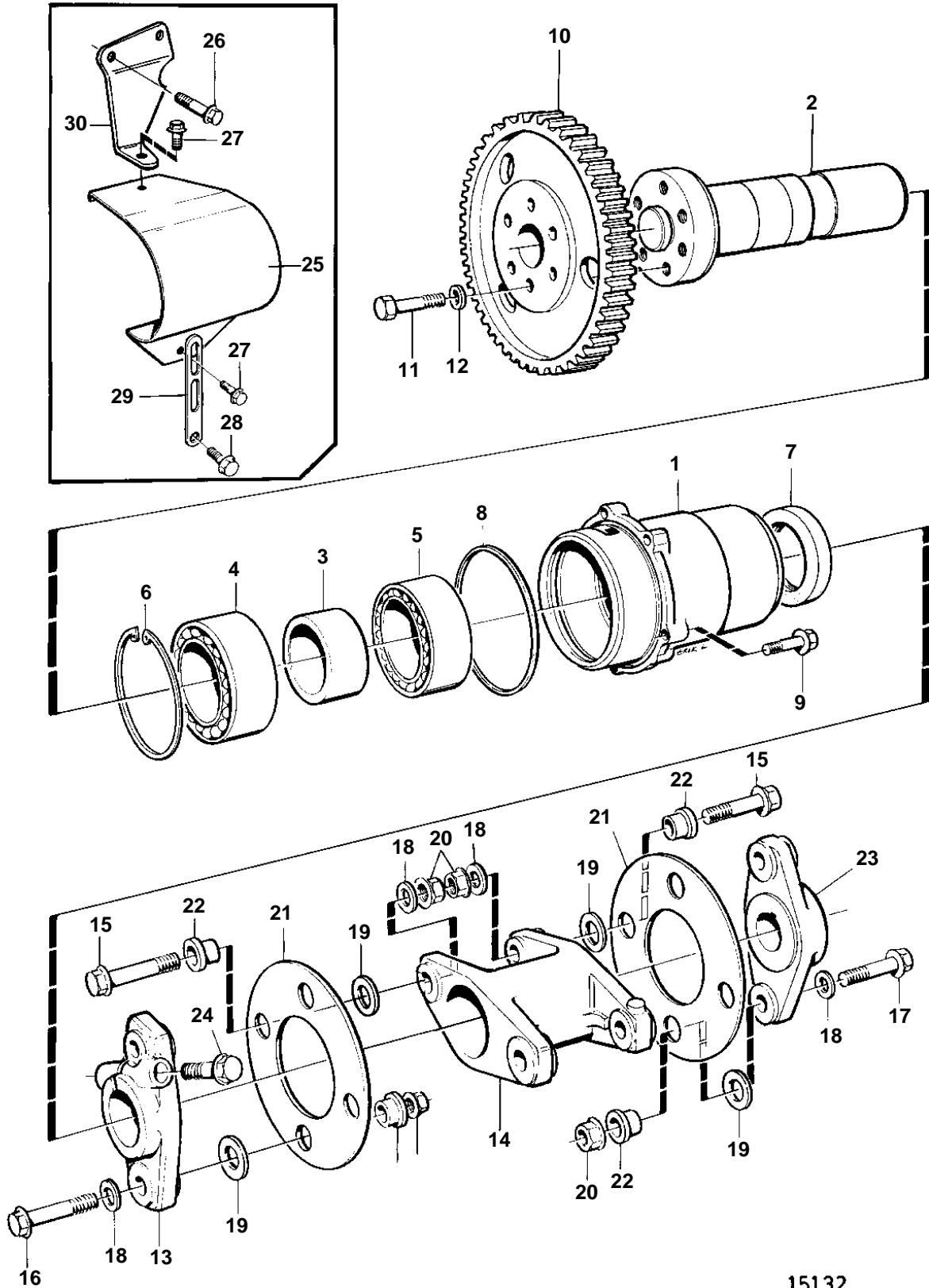


TAMD63P-A



15132

TAMD63P-A

| REF | PART NO. | QTY | DESCRIPTION          |    | NOTES                      |
|-----|----------|-----|----------------------|----|----------------------------|
| 1   | 478799   | 1   | Bearing housing      |    |                            |
| 2   | 478411   | 1   | Axle shaft           | SO |                            |
| 3   | 1546132  | 1   | Stop ring            |    |                            |
| 4   | 184788   | 1   | Ball bearing         |    |                            |
| 5   | 11014    | 1   | Ball bearing         |    |                            |
| 6   | 914540   | 1   | Lock ring            |    |                            |
| 7   | 1546221  | 1   | Sealing ring         |    |                            |
| 8   | 423123   | 1   | Sealing ring         |    |                            |
| 9   | 946671   | 5   | Flange screw         |    |                            |
| 10  | 478429   | 1   | Gear                 |    | NITRO                      |
| 11  | 471534   | 6   | Screw                |    |                            |
| 12  | 942385   | 6   | Disc spring          |    |                            |
| 13  | 1547352  | 1   | Companion flange     |    | M11. (M11) SN-2061187229.  |
|     | 1556186  | 1   | Companion flange     |    | M12. (M12) SN2061187230- . |
| 14  | 1556175  | 1   | Intermediate section |    |                            |
| 15  | 965185   | 4   | Flange screw         |    | L=40mm                     |
| 16  | 965220   | 2   | Flange screw         |    | L=45mm                     |
| 17  | 965185   | 2   | Flange screw         |    | L=40mm                     |
| 18  | 976945   | 8   | Washer               |    | 10,5x22x2mm                |
| 19  | 479399   | 8   | Washer               |    | 15x28x2mm                  |
| 20  | 971095   | 8   | Nut                  |    |                            |
| 21  | 479458   | 8   | Disc                 |    |                            |
| 22  | 478897   | 8   | Sleeve               |    |                            |
| 23  | 1547351  | 1   | Companion flange     |    |                            |
| 24  | 471529   | 1   | Screw                |    | M11. (M11) SN-2061187229.  |
|     | 1556285  | 1   | Screw                |    | M12. (M12) SN2061187230- . |
| 25  | 865745   | 1   | Protecting plate     |    |                            |
| 26  | 965189   | 3   | Flange screw         |    |                            |
| 27  | 967949   | 2   | Screw                |    |                            |
| 28  | 965227   | 1   | Screw, engine mounts |    | SEE GROUP 21               |
| 29  | 965542   | 1   | Bracket              |    |                            |
| 30  | 865744   | 1   | Bracket              |    |                            |